

# Connection cable

## V3-WM-E2-BK1,5M-PUR-U-V3-GM

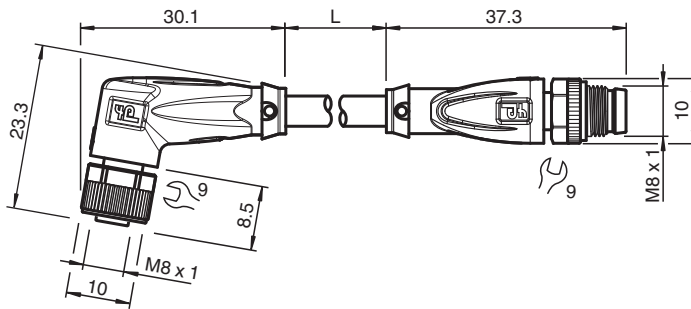


- Built-in LED, as operating and function indicator
- Suitable for drag chains and abrasion resistant
- Suitable for robotic applications / torsion resistant
- Degree of protection IP68
- Free of paint wetting interfering substances
- Resistant to microbes and hydrolysis
- UV resistant
- UL listed for USA and Canada
- Halogen-free
- Specific design protects against loosening and inaccurate installation

Cordset M8 socket angled A-coded LED 3-pin to M8 plug straight A-coded 3-pin, PUR cable black, UL-approved, drag chain suitable, torsion resistant



### Dimensions



### Technical Data

| General specifications     |   |
|----------------------------|---|
| Connector 1                |   |
| Connection                 | socket                                    |
| Construction type          | M8  |
| Style                      | angled                                    |
| Locking                    | screw connection                          |
| Number of pins             | 3   |
| Coding                     | A-coded                                   |
| Connector 2                |   |
| Connection                 | plug                                      |
| Construction type          | M8  |
| Style                      | straight                                  |
| Locking                    | screw connection                          |
| Number of pins             | 3   |
| Coding                     | A-coded                                   |
| Indicators/operating means |   |
| LED green                  | Operating display                         |
| LED yellow                 | Functional display pin 4                  |
| Electrical specifications  |   |
| Operating voltage          | U <sub>B</sub> max. 24 V DC -20 % / +25 % |

Release date: 2024-02-21 Date of issue: 2024-02-21 Filename: 240819-100002\_eng.pdf

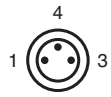
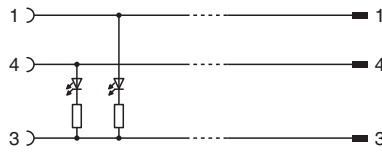
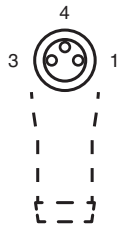
## Technical Data

|                                   |       |  |
|-----------------------------------|-------|--|
| Operating current                 | $I_B$ | max. 3 A   |
| <b>Conformity</b>                 |       |  |
| Degree of protection              |       | EN 60529   |
| Plug connection                   |       | connector M8 x 1 : IEC 61076-2-104                           |
| Flammability                      |       | UL 1581; DIN EN 60332-2-2                                    |
| Halogen-free                      |       | IEC 60754-1  |
| <b>Approvals and certificates</b> |       |  |
| UL approval                       |       | AWM STYLE 20549 AWM I/II A/B 80°C 300V FT2 (cable)           |
| UL File Number                    |       | E231213  |
| <b>Ambient conditions</b>         |       |  |
| Ambient temperature               |       |  |
| Plug connector                    |       | -40 ... 90 °C (-40 ... 194 °F)                               |
| Cable, fixed                      |       | -40 ... 80 °C (-40 ... 176 °F)                               |
| Cable, flexing                    |       | -20 ... 80 °C (-4 ... 176 °F)                                |
| Pollution degree                  |       | 3  |
| <b>Mechanical specifications</b>  |       |  |
| Plug connector                    |       |  |
| Tightening torque                 |       | 0.4 Nm   |
| Loosening protection              |       | available  |
| Tool installation                 |       | straight knurling and hexagon nut SW = 9 mm                  |
| Mating cycles                     |       | min. 100   |
| Degree of protection              |       | IP68   |
| Cable                             |       | according to IEC/EN 60228 (DIN VDE 0295) class 6             |
| Sheath diameter                   |       | 4.3 mm   |
| Bending radius                    |       | > 10 x cable diameter, moving<br>> 5 x cable diameter, fixed |
| Sheath stripping force            |       | max. 80 N / 300 mm   |
| Sheath color                      |       | black (similar to RAL 9005)                                  |
| Number of cores                   |       | 3  |
| Core cross section                |       | 0.34 mm <sup>2</sup>   |
| Cores color                       |       | Core 1: brown<br>Core 3: blue<br>Core 4: black               |
| Core construction                 |       | 42 x 0.1 mm Ø  |
| Length                            | L     | 1.5 m  |
| Cable code                        |       | Li F 9Y 11Y 3 x 0,34   |
| <b>Drag chain suitability</b>     |       |  |
| Drag chain cycles                 |       | min. 5000000   |
| Motion velocity                   |       | max. 3.3 m/s   |
| Traverse distance                 |       | max. 5 m   |
| Acceleration                      |       | max. 5 m/s <sup>2</sup>                                      |
| Torsion cycles                    |       | min. 1000000   |
| Torsional stress                  |       | ± 180 °/m  |
| <b>Material</b>                   |       |  |
| PWIS free                         |       | yes  |
| Halogen-free                      |       | yes  |
| <b>Plug connector</b>             |       |  |
| Screw connection                  |       | Zinc diecast, nickel-plated                                  |
| Body                              |       | TPU, transparent/black                                       |
| Seal                              |       | FKM  |
| Contact surface                   |       | gold plated (Au)   |
| Flammability                      |       | V-2  |
| <b>Cable</b>                      |       |  |
| Sheathing                         |       | PUR based on polyether                                       |

**Technical Data**

|                              |      |
|------------------------------|------|
| Core insulation              | PP   |
| UV resistance                | yes  |
| Chemical resistance          | good |
| Oil resistance               | yes  |
| Cooling lubricant resistance | yes  |
| Microbial resistance         | yes  |
| Hydrolysis resistance        | yes  |
| Flammability                 | FT2  |

**Connection**



Release date: 2024-02-21 Date of issue: 2024-02-21 Filename: 240819-100002\_eng.pdf