



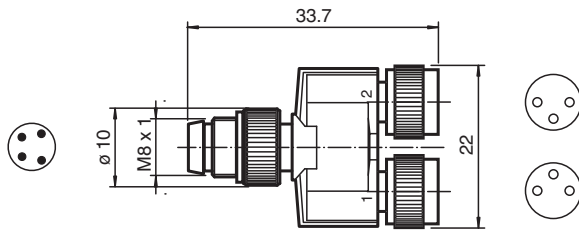
## Y-Splitter V31S-T-V3

- Easy merging of two signals at a single M8 slot
- Degree of protection IP67
- Knurled nut suitable for tool assembly
- Immunity to vibration, with mechanical latching

Y-Splitter M8 plug 4-pin to 2x M8 socket 3-pin



### Dimensions



### Technical Data

#### General specifications

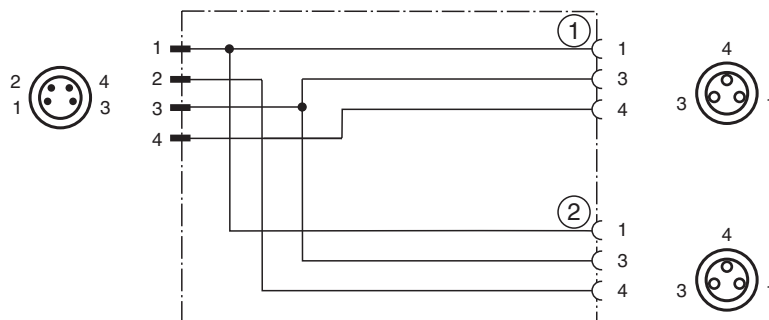
Connector 1	
Connection	socket
Construction type	M8
Style	straight
Locking	screw connection
Number of pins	3
Coding	A-coded
Connector 2	
Connection	socket
Construction type	M8
Style	straight
Locking	screw connection
Number of pins	3
Coding	A-coded
Connector 3	
Connection	plug

Release date: 2023-02-20 Date of issue: 2023-02-20 Filename: 240942\_eng.pdf



## Technical Data

Construction type	M8	
Style	straight	
Locking	screw connection	
Number of pins	4	
Coding	A-coded	
<b>Electrical specifications</b>		
Operating voltage	$U_B$	max. 30 V AC/DC
Operating current	$I_B$	max. 4 A
<b>Conformity</b>		
Degree of protection	EN 60529	
Plug connection	connector M8 x 1 : IEC 61076-2-104	
<b>Ambient conditions</b>		
Ambient temperature	-25 ... 90 °C (-13 ... 194 °F)	
Pollution degree	3	
<b>Mechanical specifications</b>		
Plug connector		
Tightening torque	0.2 Nm	
Loosening protection	available	
Tool installation	straight knurling	
Mating cycles	min. 100	
Degree of protection	IP65/IP67	
<b>Material</b>		
Plug connector		
Body	TPU, black	
Seal	NBR	
Contact surface	Ni/Au	
Flammability	HB	

## Connection Assignment



## Accessories

	<b>MH V3-SCREWDRIVER</b>	Torque screwdriver (0.4 Nm)
	<b>MH V3-BIT M8</b>	plug-in cap for M8