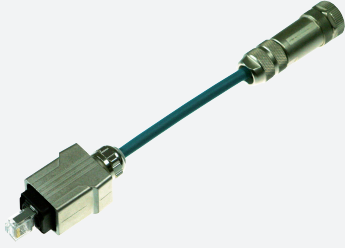


Connection cable

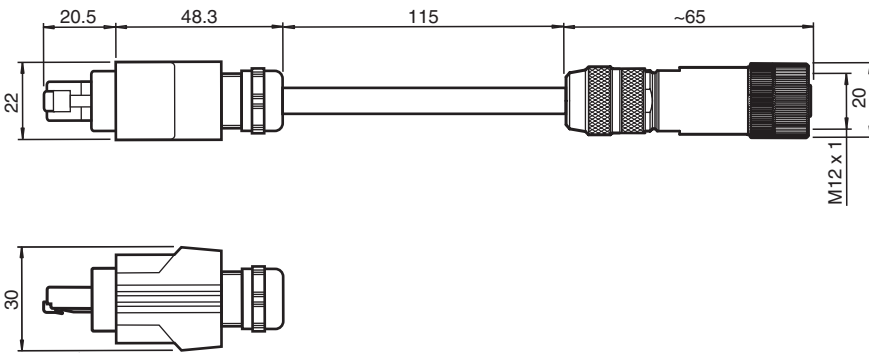
ICZ-AIDA1-V45-0,2M-PUR-V1D-G



Connecting cable RJ-45 to M12 D-coded



Dimensions



Technical Data

| | |
|----------------------------------|--|
| General specifications | |
| Number of pins | 4 |
| Electrical specifications | |
| Rated current | I_r 1.75 A |
| Ambient conditions | |
| Ambient temperature | -25 ... 70 °C (-13 ... 158 °F) |
| Mechanical specifications | |
| Degree of protection | IP65/IP67 |
| Connection | 8-pin RJ-45, D-coded to 4-pin M12 socket |
| Material | |
| Contacts | CuZn |
| Contact surface | Au |
| Housing | Zinc die-casting, nickel-plated |
| Body | Zinc die-casting, nickel-plated |
| Cable | |
| Sheath diameter | 5.8 mm |

Release date: 2020-03-24 Date of issue: 2020-03-27 Filename: 2411537_eng.pdf

Technical Data

| | |
|-------|-----------------------|
| Color | water blue (RAL 5021) |
| Cores | 4 x 26 AWG |

Connection

