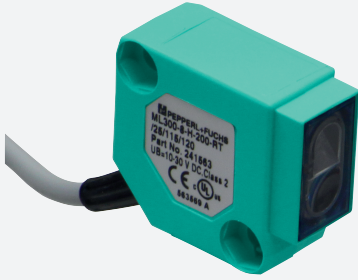


# Background suppression sensor

## ML300-8-H-200-RT/25/115/120



- Miniature design
- Easy to use
- Visible red light
- 45° cable connector

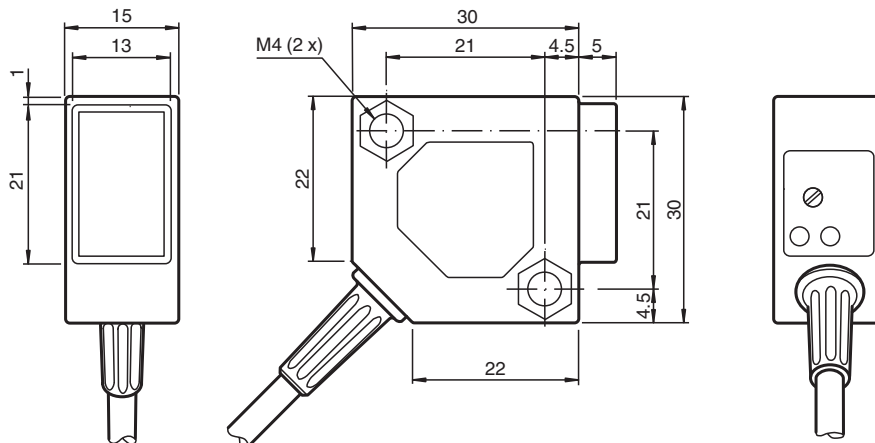
Background suppression sensor



### Function

The ML300 series has a robust miniature housing and all the standard functional principles. Of particular note are the sensors with analog output, which return a value proportional to the distance. The 45° plug/cable connection ensures flexible mounting. An LED indicates a weak signal, e.g. due to dirt.

### Dimensions



Release date: 2023-02-27 Date of issue: 2023-02-27 Filename: 241563\_eng.pdf

## Technical Data

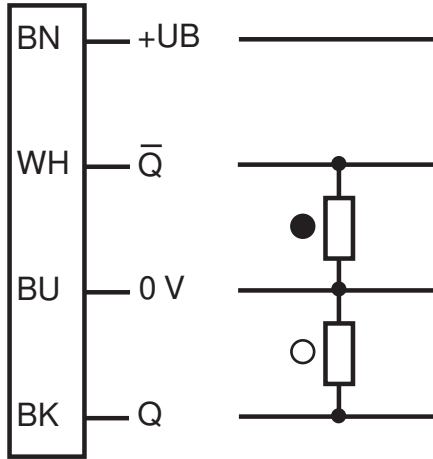
General specifications		
Detection range		0 ... 200 mm , adjustable
Detection range min.		5 ... 25 mm
Detection range max.		0 ... 200 mm
Adjustment range		25 ... 200 mm
Reference target		standard white, 100 mm x 100 mm
Light source		LED
Light type		modulated visible red light , 660 nm
Black-white difference (6 %/90 %)		15 % at 200 mm
Diameter of the light spot		approx. 12 mm at a distance of 200 mm
Opening angle		approx. 3.5 °
Ambient light limit		
Continuous light		10000 Lux
Modulated light		5000 Lux
Accessories provided		Mounting bracket OMH-ML300-01
Indicators/operating means		
Function indicator		LED yellow: lights up when output is active LED green: lights up with a stable object recognition
Control elements		Sensing range adjuster
Electrical specifications		
Operating voltage	$U_B$	10 ... 30 V DC
Ripple		max. 20 %
No-load supply current	$I_0$	max. 25 mA
Output		
Switching type		light on / dark on
Signal output		2 PNP outputs, complementary, short-circuit protected, reverse polarity protected, open collector
Switching voltage		max. 30 V DC
Switching current		max. 0.1 A
Voltage drop	$U_d$	$\leq 2$ V DC
Switching frequency	$f$	1000 Hz
Response time		0.5 ms
Compliance with standards and directives		
Directive conformity		
EMC Directive 2004/108/EC		EN 60947-5-2:2007
Standard conformity		
Product standard		EN 60947-5-2:2007 IEC 60947-5-2:2007
Shock and impact resistance		EN 60947-5-7 30 g, 11 ms, all axes
Vibration resistance		EN 60947-5-7, 10-55 Hz/1.5 mm amplitude, all axes
Approvals and certificates		
CCC approval		CCC approval / marking not required for products rated $\leq 36$ V
Ambient conditions		
Ambient temperature		-25 ... 55 °C (-13 ... 131 °F)
Mechanical specifications		
Housing width		30 mm
Housing height		30 mm
Housing depth		15 mm
Degree of protection		IP67
Connection		2 m fixed cable
Material		
Housing		PBT
Optical face		glass pane

**Technical Data**

Cable	PVC
Mass	75 g

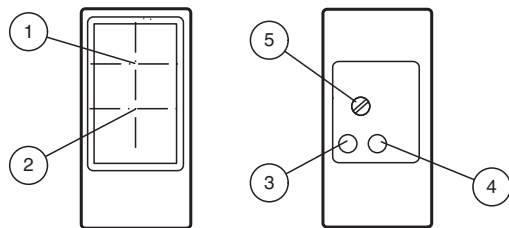
**Connection Assignment**

Option: 120



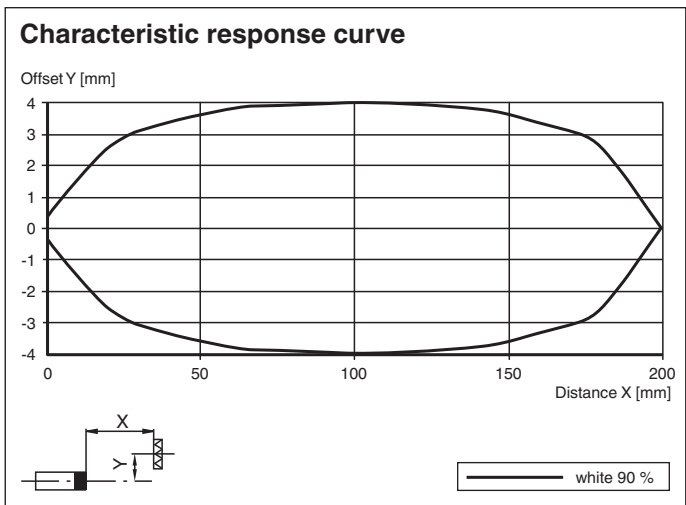
○ = Light on  
 ● = Dark on

**Assembly**



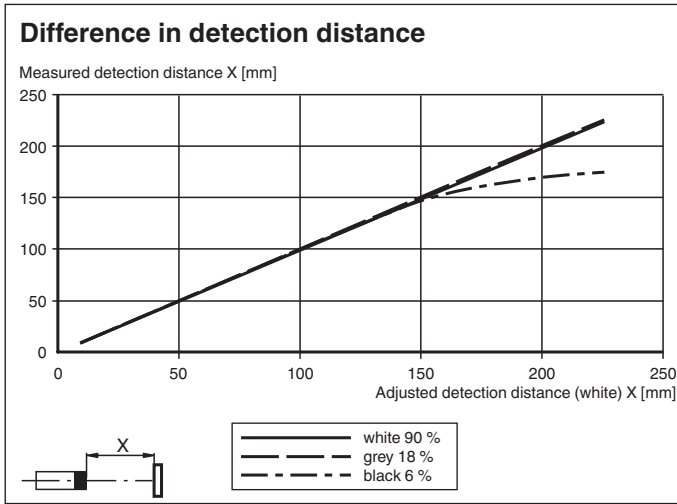
1	Receiver	
2	Emitter	
3	Switching state	yellow
4	Stability control	green
5	Sensing range adjuster	

**Characteristic Curve**



Release date: 2023-02-27 Date of issue: 2023-02-27 Filename: 241563\_eng.pdf

## Characteristic Curve



## Accessories



**OMH-ML300-01**

Bracket for mounting ML300 series sensors