

# Connection cable

## V1-W-0,6M-PUR-V31-GM

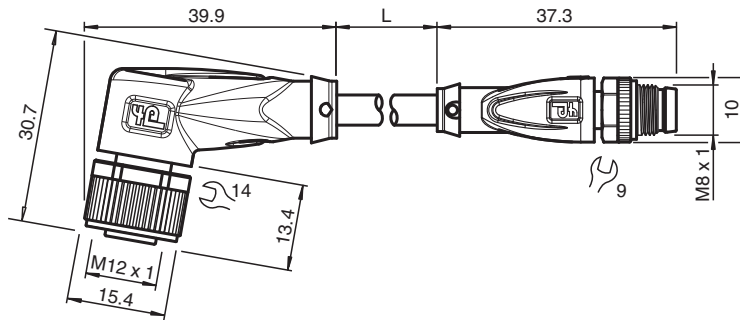


- Degree of protection IP68
- Resistant to microbes and hydrolysis
- Halogen-free
- Specific design protects against loosening and inaccurate installation

Cordset M12 socket angled to M8 plug straight A-coded, 4-pin, PUR cable grey



### Dimensions



### Technical Data

#### General specifications

|                                  |       |   |
|----------------------------------|-------|---|
| <b>Connector 1</b>               |       |   |
| Connection                       |       | socket  |
| Construction type                |       | M12   |
| Style                            |       | angled  |
| Locking                          |       | screw connection  |
| Number of pins                   |       | 4   |
| Coding                           |       | A-coded   |
| <b>Connector 2</b>               |       |   |
| Connection                       |       | plug  |
| Construction type                |       | M8  |
| Style                            |       | straight  |
| Locking                          |       | screw connection  |
| Number of pins                   |       | 4   |
| Coding                           |       | A-coded   |
| <b>Electrical specifications</b> |       |   |
| Operating voltage                | $U_B$ | max. 30 V AC/DC   |
| Operating current                | $I_B$ | max. 3 A  |
| <b>Conformity</b>                |       |   |
| Degree of protection             |       | EN 60529  |
| Plug connection                  |       | connector M8 x 1 : IEC 61076-2-104<br>connector M12 x 1 : IEC 61076-2-101 |

Release date: 2024-06-20 Date of issue: 2024-06-20 Filename: 243088\_eng.pdf

## Technical Data

|                                  |   |   |
|----------------------------------|---|---|
| Halogen-free                     |   | IEC 60754-1   |
| <b>Ambient conditions</b>        |   |   |
| Ambient temperature              |   |   |
| Plug connector                   |   | -40 ... 90 °C (-40 ... 194 °F)                                  |
| Cable, fixed                     |   | -40 ... 80 °C (-40 ... 176 °F)                                  |
| Cable, flexing                   |   | -20 ... 80 °C (-4 ... 176 °F)                                   |
| Pollution degree                 |   | 3   |
| <b>Mechanical specifications</b> |   |   |
| Connector 1                      |   |   |
| Tightening torque                |   | 0.6 Nm  |
| Loosening protection             |   | available   |
| Tool installation                |   | straight knurling and hexagon nut SW = 14 mm                    |
| Mating cycles                    |   | min. 100  |
| Degree of protection             |   | IP68 / IP69   |
| Connector 2                      |   |   |
| Tightening torque                |   | 0.4 Nm  |
| Loosening protection             |   | available   |
| Tool installation                |   | straight knurling and hexagon nut SW = 9 mm                     |
| Mating cycles                    |   | min. 100  |
| Degree of protection             |   | IP68  |
| Cable                            |   | according to IEC/EN 60228 (DIN VDE 0295) class 5                |
| Sheath diameter                  |   | 4.3 mm  |
| Bending radius                   |   | > 15 x cable diameter, moving<br>> 8 x cable diameter, fixed    |
| Sheath stripping force           |   | max. 60 N / 500 mm  |
| Sheath color                     |   | grey (similar to RAL 7001)                                      |
| Number of cores                  |   | 4   |
| Core cross section               |   | 0.25 mm <sup>2</sup>  |
| Cores color                      |   | Core 1: brown<br>Core 2: white<br>Core 3: blue<br>Core 4: black |
| Core construction                |   | 14 x 0.15 mm Ø  |
| Length                           | L | 0.6 m   |
| Cable code                       |   | Li 9Y 11Y 4 x 0,25  |
| Drag chain suitability           |   |   |
| Drag chain cycles                |   | max. 50 / day   |
| Motion velocity                  |   | max. 0.3 m/s  |
| Mass                             |   | 34.88 g   |
| <b>Material</b>                  |   |   |
| Halogen-free                     |   | yes   |
| Plug connector                   |   |   |
| Screw connection                 |   | Zinc diecast, nickel-plated                                     |
| Body                             |   | TPU, black  |
| Seal                             |   | FKM   |
| Contact surface                  |   | gold plated (Au)  |
| Flammability                     |   | V-2   |
| Cable                            |   |   |
| Sheathing                        |   | PUR based on polyether  |
| Core insulation                  |   | PP  |
| Chemical resistance              |   | good  |
| Microbial resistance             |   | yes   |
| Hydrolysis resistance            |   | yes   |

## Connection

