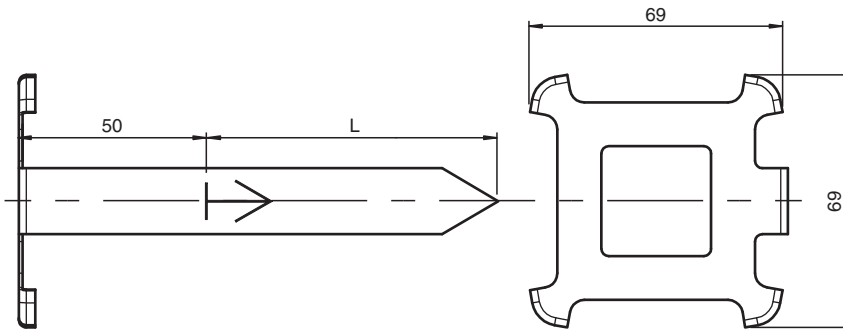




Alignment guide PCV-AG80

Alignment guide for PCV80-* read head

Dimensions



Technical Data

General specifications

Description Alignment guide for the PCV80-* read head Distance: 80 mm

Mechanical specifications

Material Metal sheet (steel), zinc-plated

Mass 39 g

Dimensions

Height 69 mm

Width 69 mm

Length 130 mm L = 80 mm

Release date: 2023-12-20 Date of issue: 2023-12-20 Filename: 244214_eng.pdf