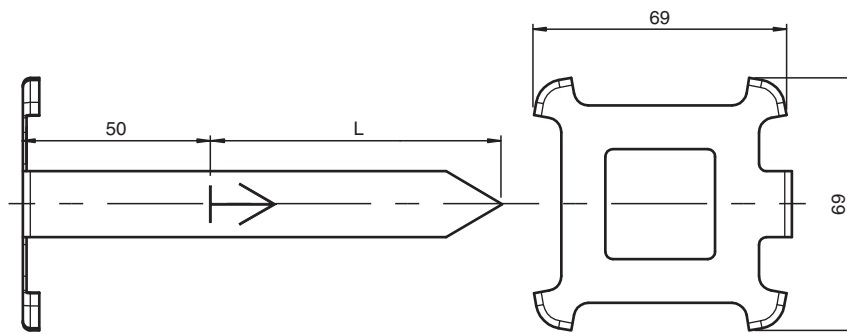




## Alignment guide PCV-AG100

Alignment guide for reader

### Dimensions



### Technical Data

#### General specifications

Description Alignment guide for the read head

#### Mechanical specifications

Material Metal sheet (steel), zinc-plated

Mass 42 g

#### Dimensions

Height 69 mm

Width 69 mm

Length 150 mm L = 100 mm