



Read head

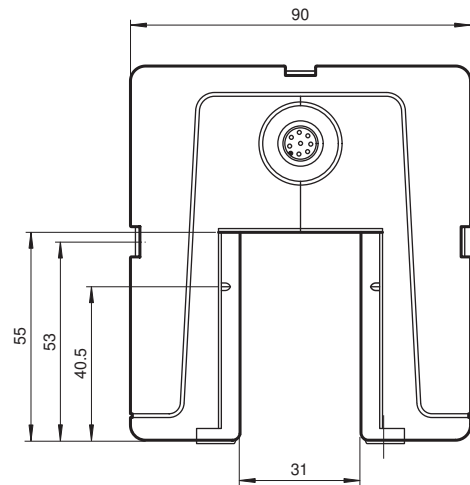
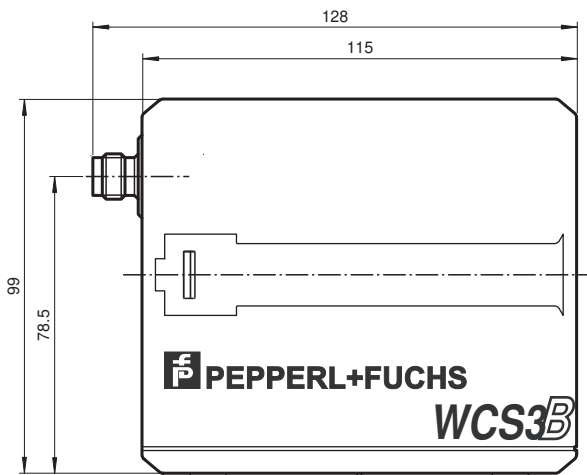
WCS3B-LS310H-Y244235

- SSI interface
- Non-contact, absolute position encoder
- Automatic detection of dirt accumulation
- Extended temperature range

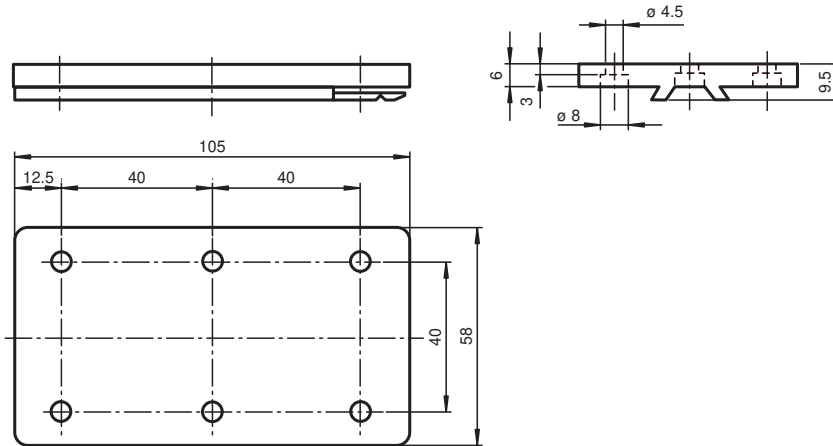
Reading head, SSI interface, Gray code



Dimensions



Dimensions



Technical Data

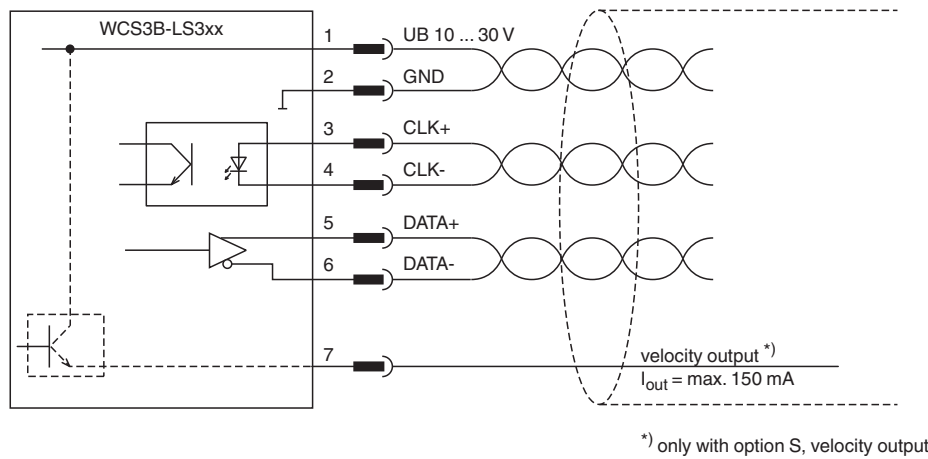
| General specifications | | | |
|--------------------------------------|----------------|--|--|
| Passage speed | v | | ≤ 12.5 m/s |
| Measuring range | | | max. 314.5 m |
| Free tolerances to code rail | | | horizontal: 31 mm (± 15.5 mm) vertical: 28 mm (± 14 mm) |
| Resolution | | | ± 0.4 mm (1,250 positions/m) |
| Functional safety related parameters | | | |
| MTTF _d | | | 51 a |
| Mission Time (T _M) | | | 10 a |
| Diagnostic Coverage (DC) | | | 0 % |
| Indicators/operating means | | | |
| Operation indicator | | | LED green: power on |
| Data flow indicator | | | LED yellow: data communication active |
| Error indicator | | | LED red flashing: read head outside of code rail solid on: internal diagnostic test failed |
| Electrical specifications | | | |
| Operating voltage | U _B | | 10 ... 30 V DC |
| Power consumption | P ₀ | | 11 VA at 24 V DC |
| Interface | | | |
| Interface type | | | SSI interface |
| Data output code | | | binary code , 25 bit |
| Clock frequency | | | 100 ... 1000 kHz |
| Pause time | tp | | ≥ 20 μs double request possible, if t _p ≤ 10 μs |
| Standard conformity | | | |
| Emitted interference | | | DIN EN 61000-6-4 |
| Noise immunity | | | DIN EN 61000-6-2 |
| Shock resistance | | | DIN EN 60068-2-27, half sine 30 g, 18 ms |
| Vibration resistance | | | DIN EN 60068-2-6, sine, 5 g, 10 - 2000 Hz, 10 cycles |
| Approvals and certificates | | | |
| CSA approval | | | cCSAus Certified, General Purpose Class 2 power source |
| CCC approval | | | CCC approval / marking not required for products rated ≤36 V |
| Ambient conditions | | | |
| Operating temperature | | | -40 ... 60 °C (-40 ... 140 °F) |
| Storage temperature | | | -40 ... 85 °C (-40 ... 185 °F) |

Release date: 2023-10-09 Date of issue: 2023-10-09 Filename: 244235_eng.pdf


Technical Data

| Mechanical specifications | |
|---------------------------|---------------------------------------|
| Connection type | 8-pin, M12 x 1 connector |
| Degree of protection | IP54 |
| Material | |
| Housing | ABS , PC (Polycarbonate) |
| Mass | 500 g |
| General information | |
| Ordering information | Mounting plate included with delivery |

Connection



Accessories

| | | |
|---|----------------|--|
|  | WCS-MP1 | Mounting plate for reading heads WCS2 and WCS3 |
|---|----------------|--|