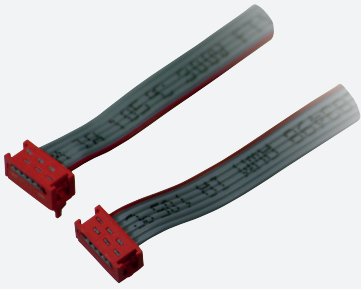


Mounting aid DGE

TopScan-S Cable 240 mm

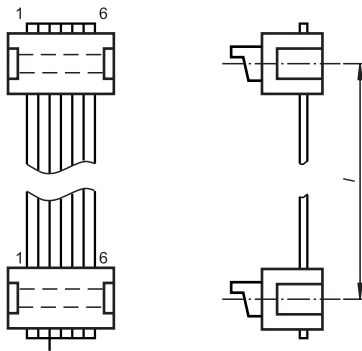


- Connecting cable for sensor modules
- Length 240 mm

Ribbon cable for connecting sensor modules



Dimensions



Technical Data

Mechanical specifications

Cable			
Length	L	240 mm	
Suitable series			
Series	TopScan-S , TopScan2		

Release date: 2020-03-24 Date of issue: 2020-10-08 Filename: 244265_eng.pdf