

Capacitive sensor

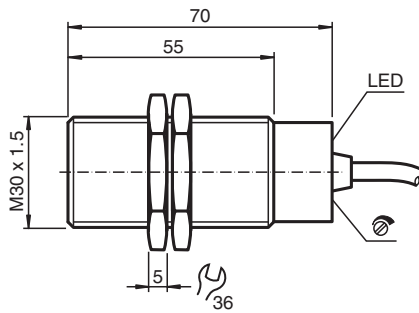
CCB10-30GS55-N1



- 10 mm flush
- The switching distance can be set over a wide range with the potentiometer



Dimensions



Technical Data

General specifications

Switching function		Normally open (NO)
Output type		NAMUR
Rated operating distance	s_n	10 mm
Installation		flush
Output type		2-wire

Nominal ratings

Installation conditions		
A		0 mm
B		0 mm
C		20 mm
F		60 mm
Nominal voltage	U_o	8.2 V (R_i approx. 1 k Ω)
Operating voltage	U_B	5 ... 15 V
Switching frequency	f	0 ... 50 Hz
Reverse polarity protection		reverse polarity protected
Current consumption		
Measuring plate not detected		≤ 1.5 mA
Measuring plate detected		≥ 2.5 mA
Switching state indicator		LED, yellow

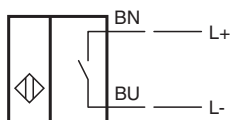
Functional safety related parameters

Release date: 2025-04-02 Date of issue: 2025-04-02 Filename: 245596_eng.pdf

Technical Data

MTTF _d	1134 a	
Mission Time (T _M)	20 a	
Diagnostic Coverage (DC)	0 %	
Compliance with standards and directives		
Standard conformity		
NAMUR	EN 60947-5-6:2000 IEC 60947-5-6:1999	
Standards	EN IEC 60947-5-2	
Approvals and certificates		
ATEX approval		
Equipment protection level Ga	BVS 13 ATEX E 074 X	
Equipment protection level Da	BVS 13 ATEX E 074 X	
ETL approval	cETLus	
Ambient conditions		
Ambient temperature	-20 ... 70 °C (-4 ... 158 °F)	
Mechanical specifications		
Connection type	cable	
Housing material	Stainless steel 1.4305 / AISI 303	
Sensing face	PTFE	
Degree of protection	IP67	
Cable		
Wire end ferrules	yes	
Material	PUR	
Color	blue	
Number of cores	2	
Core cross section	0.75 mm ²	
Length	L	2 m
Dimensions		
Length	80 mm	
Diameter	30 mm	
General information		
Use in the hazardous area	see instruction manuals	

Connection



Installation Conditions

