

# Capacitive sensor

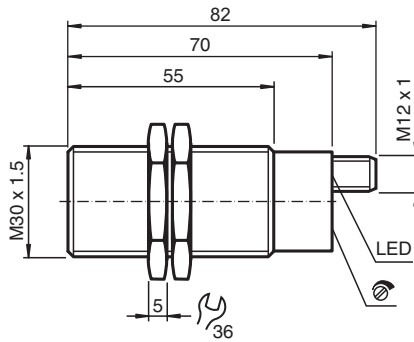
## CCB10-30GS55-N1-V1



- 10 mm flush
- The switching distance can be set over a wide range with the potentiometer



### Dimensions



### Technical Data

#### General specifications

Switching function		Normally open (NO)
Output type		NAMUR
Rated operating distance	$s_n$	10 mm
Installation		flush
Output type		2-wire

#### Nominal ratings

Installation conditions		
A		0 mm
B		0 mm
C		20 mm
F		60 mm
Nominal voltage	$U_o$	8.2 V ( $R_i$ approx. 1 k $\Omega$ )
Operating voltage	$U_B$	5 ... 15 V
Switching frequency	f	0 ... 50 Hz
Reverse polarity protection		reverse polarity protected
Current consumption		
Measuring plate not detected		$\leq 1.5$ mA
Measuring plate detected		$\geq 2.5$ mA
Switching state indicator		LED, yellow

Release date: 2025-03-12 Date of issue: 2025-03-12 Filename: 245597\_eng.pdf

## Technical Data

### Functional safety related parameters

MTTF <sub>d</sub>	1134 a
Mission Time (T <sub>M</sub> )	20 a
Diagnostic Coverage (DC)	0 %

### Compliance with standards and directives

Standard conformity	
NAMUR	EN 60947-5-6:2000 IEC 60947-5-6:1999
Standards	EN IEC 60947-5-2

### Approvals and certificates

ATEX approval	
Equipment protection level Ga	BVS 13 ATEX E 074 X
Equipment protection level Da	BVS 13 ATEX E 074 X
ETL approval	cETLus

### Ambient conditions

Ambient temperature	-20 ... 70 °C (-4 ... 158 °F)
---------------------	-------------------------------

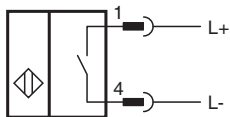
### Mechanical specifications

Connection type	Connector plug
Housing material	Stainless steel 1.4305 / AISI 303
Sensing face	PTFE
Degree of protection	IP67
Connector	
Threading	M12 x 1
Number of pins	4
Dimensions	
Length	80 mm
Diameter	30 mm

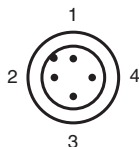
### General information

Use in the hazardous area	see instruction manuals
---------------------------	-------------------------

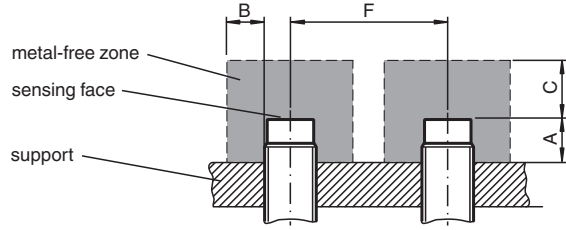
## Connection



## Connection Assignment



**Installation Conditions**



Release date: 2025-03-12 Date of issue: 2025-03-12 Filename: 245597\_eng.pdf