

# Mounting plate

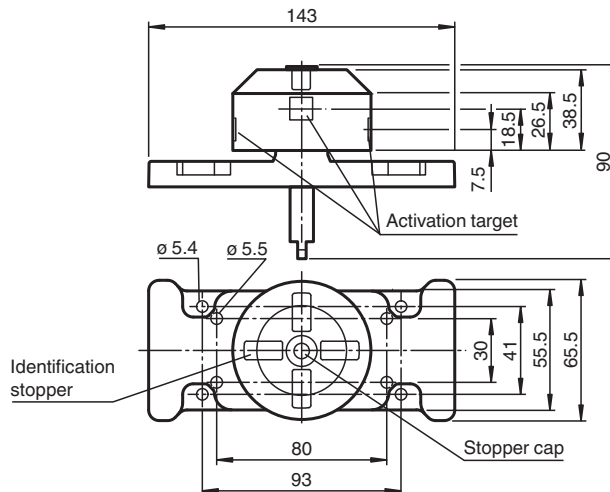
## MH-BT65A



- Mounting plate with shaft and actuator BT65
- Hole pattern 30 x 80 mm

Mounting plate

### Dimensions

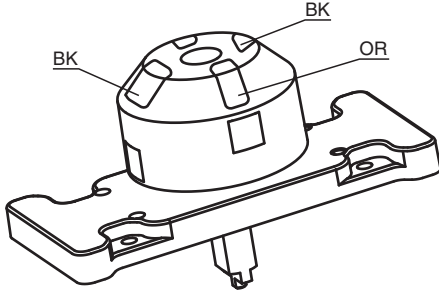


### Technical Data

<b>Ambient conditions</b>	
Ambient temperature	-25 ... 70 °C (-13 ... 158 °F)
<b>Mechanical specifications</b>	
Housing material	
Material	PA 12
Mounting screw	cylinder head screws Mounting plate DIN 912 with hexagon socket
<b>General information</b>	
Scope of delivery	Mounting plate Mounting plate fixing screw 4 x socket cap screw DIN 912, M5x12, stainless steel with hexagon socket 4 x serrated lock washer DIN 6797, shape J Fixing screw for sensor F31 2 x cylinder head screw DIN 912, M5X16, stainless steel with hexagon socket Fixing screw for sensor F31K 2 x cylinder head screw DIN 912, M5X20, stainless steel with hexagon socket

Release date: 2021-01-13 Date of issue: 2021-01-13 Filename: 245603\_eng.pdf

Assembly



Release date: 2021-01-13 Date of issue: 2021-01-13 Filename: 245603\_eng.pdf