

AS-Interface gateway VBG-CCL-K20-D-BV

- Gateway compliant with AS-Interface specification 3.0
- Fault diagnosis via LEDs and graphic display
- Easy commissioning by graphic display
- AS-Interface monitor read via display
- Earth fault detection
- AS-Interface noise detection

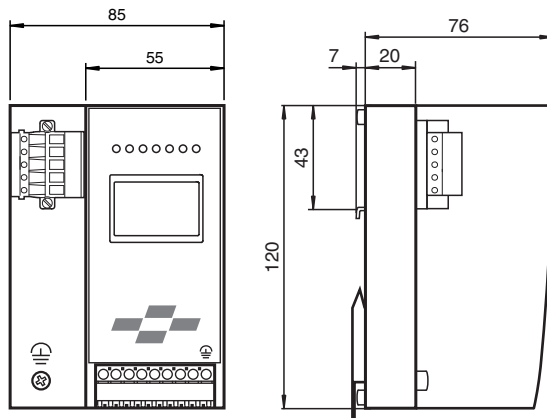
CC-Link gateway



Function

The VBG-CCL-K20-D-BV is a CC-Link Gateway with an integrated AS-Interface master in accordance with AS-Interface Specification 3.0 in IP20. The design is especially suitable for use in the switch cabinet. There are 7 LEDs on the front panel, showing the current status of the AS-Interface line. In the case of the AS-Interface Gateway with graphical display, the AS-Interface circuit can be placed in service and the test of the connected periphery can be kept entirely separate from the commissioning of the CC-Link and the programming.

Dimensions



Technical Data

General specifications

AS-Interface specification	V3.0
Earth fault detection	EFD integrated
EMC monitoring	integrated
UL File Number	E223772

Indicators/operating means

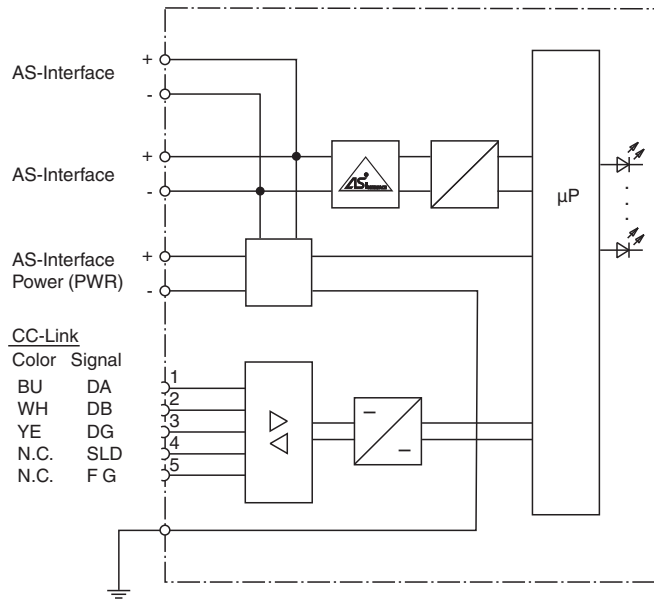
Display	Illuminated graphical LC display for addressing and error messages
LED AS-i ACTIVE	AS-Interface operation normal; LED green
LED CONFIG ERR	configuration error; LED red
LED PRG ENABLE	Automatic addressing active; LED green
LED POWER	voltage ON; LED green
LED PRJ MODE	Configuration mode active; LED yellow

Release date: 2022-12-15 Date of issue: 2022-12-15 Filename: 245605_eng.pdf

Technical Data

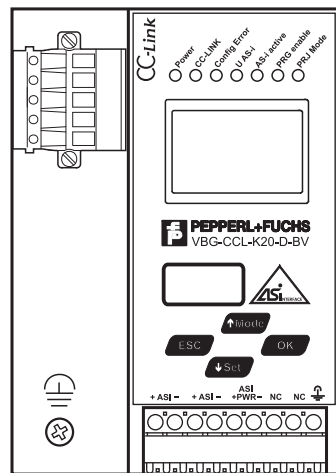
LED U AS-i		AS-Interface voltage; LED green
LED CC-Link		CC link in operation; LED green CC Link error; LED red
Button		4
Switch SET		Selection and setting of a slave address
OK button		Mode selection traditional-graphical/confirmation
Button MODE		Mode selection PRJ-operation/save configuration/cursor
ESC button		Mode selection traditional-graphical/cancel
Electrical specifications		
Insulation voltage	U_i	≥ 500 V
Rated operating voltage	U_e	from AS-Interface 30 V DC
Rated operating current	I_e	≤ 200 mA from AS-Interface
Interface 1		
Interface type		Remote device, 3 occupied stations
Protocol		according to CC-Link specification
Transfer rate		156 Bit/s up to 10 MBit/s
Connection		
AS-Interface		spring terminals, removable
CC Link		5-pin screw terminal
Directive conformity		
Electromagnetic compatibility		
Directive 2014/30/EU		EN 62026-2:2013 EN 61000-6-2:2006, EN 61000-6-4:2007
Standard conformity		
Degree of protection		EN 60529:2000
AS-Interface		EN 62026-2:2013
Ambient conditions		
Ambient temperature		0 ... 55 °C (32 ... 131 °F)
Storage temperature		-25 ... 85 °C (-13 ... 185 °F)
Mechanical specifications		
Degree of protection		IP20
Material		
Housing		Stainless steel
Mass		520 g
Construction type		Low profile housing , Stainless steel

Connection



At the cable for power supply no slaves or repeaters may be attached.
 At the cable for AS-Interface circuit no power supplies or further masters may be attached.

Assembly



Release date: 2022-12-15 Date of issue: 2022-12-15 Filename: 245605_eng.pdf