

# AS-Interface splitter box

## VAZ-2T1-FK-G10-PTC-1M-PUR-V1-G

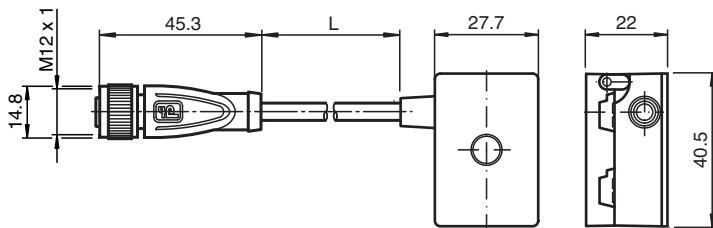


- One piece housing
- Simple and fast mounting
- Electronic current limitation with LED display
- Gold-plated and machined contacts
- Oil and abrasion resistant PUR line appropriate for drag chains
- Immunity to vibration
- Degree of protection IP68 / IP69K
- Halogen-free

G10 junction block, LED status indication, AS-Interface, and auxiliary power to 1x M12 round plug connector



### Dimensions



### Technical Data

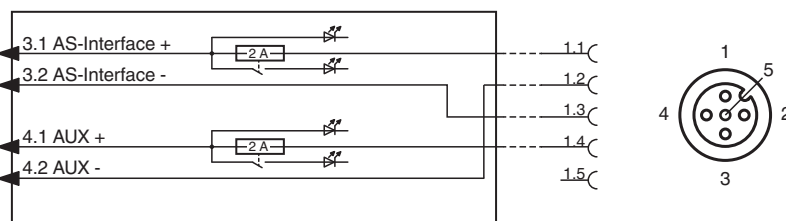
General specifications	
Construction type	Socket, straight Flat cable terminals AS-Interface/ext. auxiliary voltage
UL File Number	E223772 "For use in NFPA 79 Applications only"
Indicators/operating means	
LED Overload	Overload display output; red LED red: overload output
LED PWR	Operating voltage LED green Green: voltage OK
Electrical specifications	
Rated operating voltage	$U_e$ 10 ... 32 V PELV ( AS-Interface , ext. auxiliary voltage AUX )
Protection class	III
Short-circuit current	$I_k$ max. 40 A
Surge protection	overvoltage category III
Output	
Current loading capacity	1.6 A (40 °C) per output
Response delay	approx. 4 s @ 8 A

Release date: 2023-11-21 Date of issue: 2023-11-21 Filename: 245609\_eng.pdf

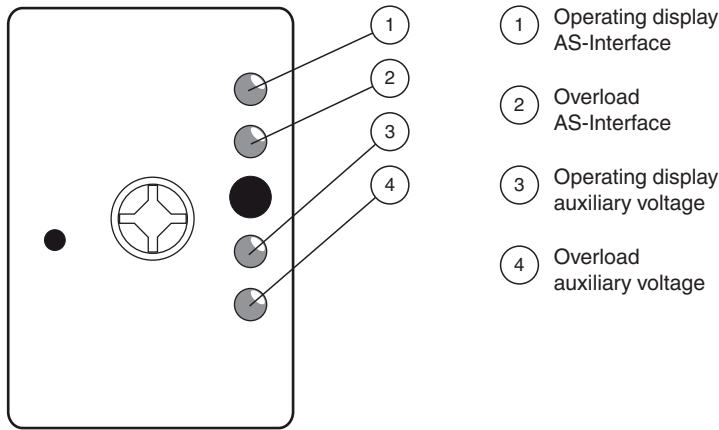
## Technical Data

Voltage drop	$U_d$	0.8 V at 2 A ; 0.3 V at 0.5 A
<b>Compliance with standards and directives</b>		
Directive conformity		
EMC Directive 2004/108/EC		EN 61000-6-2:2005, EN 61000-6-4:2007
Standard conformity		
Noise immunity		EN 61000-6-2:2005
Emitted interference		EN 61000-6-4:2007
Degree of protection		EN 60529:2000
Fieldbus standard		EN 50295:1999, IEC 62026-2:2008
<b>Approvals and certificates</b>		
UL approval		cULus Listed, Type 1 enclosure
Maximum permissible ambient temperature		max. 55 °C (max. 131 °F)
<b>Ambient conditions</b>		
Ambient temperature		-25 ... 70 °C (-13 ... 158 °F)
Storage temperature		-25 ... 85 °C (-13 ... 185 °F)
<b>Mechanical specifications</b>		
Degree of protection		IP67 IP67 / IP68 / IP69K with flat cable VAZ-FK-S-*
Connection		Flat cable AS-Interface: cable piercing method Flat cable ext. auxiliary voltage $U_{AUX}$ : Insulation penetration technology Plug connection: M12 x 1 socket (V1)
Material		
Contacts		CuSn / Au
Housing		PBT PC
Body		PUR, black
Cable		PUR
Mounting screw		Stainless steel 1.4305 / AISI 303
Cable		
Sheath diameter		Ø4,3 mm
Color		black
Cores		4 x 0.34 mm <sup>2</sup>
Length	L	1 m
Mass		100 g
Tightening torque, fastening screws		1.65 Nm
Tightening torque, cable gland		0.4 Nm

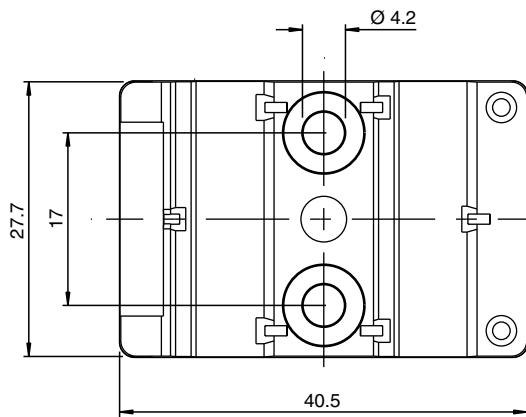
## Connection



**Assembly**



**Mounting**



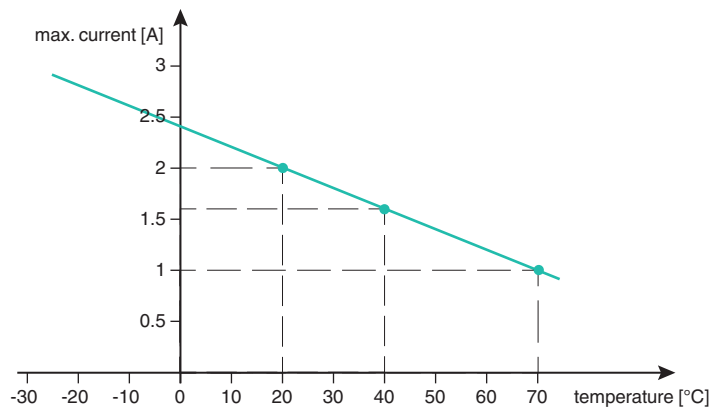
You may screw the device onto a level mounting surface using two M4 attachment screws. The attachment screws are not included.

Release date: 2023-11-21 | Date of issue: 2023-11-21 | Filename: 245609\_eng.pdf

## Characteristic Curve

The current loading capacity of the splitter box is depending on the temperature.

### Derating



After persistent or frequent short-circuits the internal fuse may open at a lower current.