



AS-Interface sensor/actuator module VBA-2E-G10-ZAL-1M-2V31-G

- Ultra-compact enclosure
- Gold-plated and machined contacts
- One piece housing
- Degree of protection IP68 / IP69K
- Direct connection via cable outlet

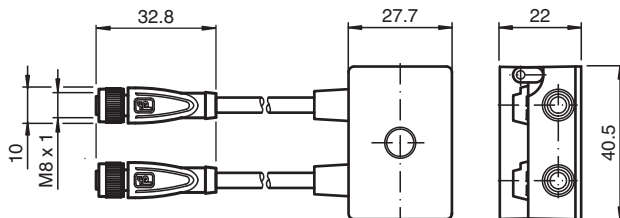
G10 ultra compact module2 inputs



Function

The AS-Interface G10 ultra-compact module is suitable for the remote connection of sensors and actuators within very limited space. The one-piece enclosure has the protection degree IP68/IP69K. The AS-Interface flat cable is contacted via pointy, gold-plated contact pins. The exact location of the pins on the lead is ensured by the swivel mechanism. Sensors and actuators are connected to the module via M8 sockets. Multiple LEDs indicate the current status of the AS-Interface strand and the inputs and outputs and are used for diagnosis. The ultra-compact module is powered from UAUx.

Dimensions



Technical Data

General specifications

Node type	A/B node
AS-Interface specification	V3.0
Required gateway specification	≥ V2.1
UL File Number	E223772 "For use in NFPA 79 Applications only"

Indicators/operating means

LED FAULT	Fault indication; red LED Red: Communication fault or address is 0 Flashing red: Sensor supply overload or no external auxiliary power U_{AUX}
LED AS-i	AS-Interface voltage; LED green
LED IN	switching state (input); 2 LED yellow

Electrical specifications

Release date: 2022-04-13 Date of issue: 2022-04-13 Filename: 245611_eng.pdf

Technical Data

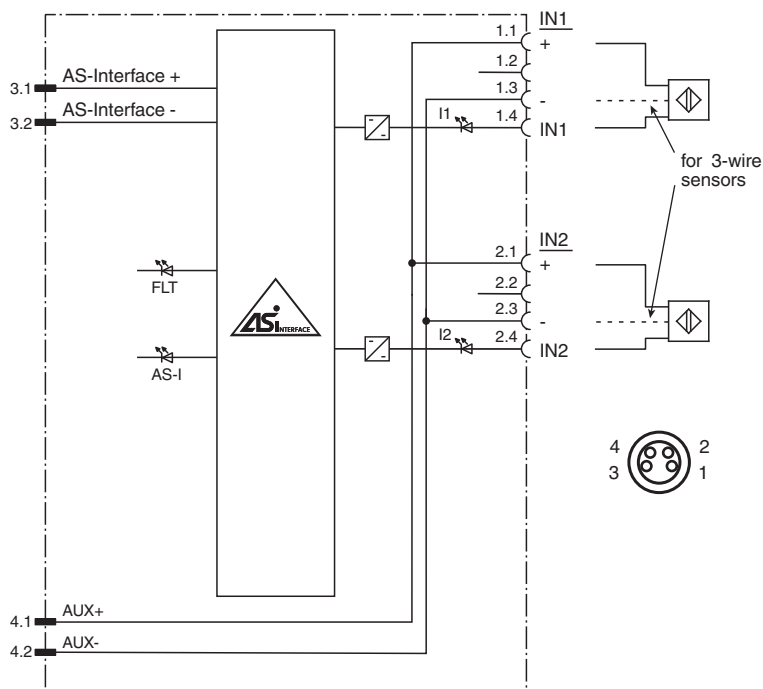
Auxiliary voltage	U_{AUX}	20 ... 30 V DC PELV
Rated operating voltage	U_e	18.5 ... 31.6 V from AS-Interface
Rated operating current	I_e	≤ 40 mA
Protection class		III
Surge protection		U_{AUX} , U_{in} : Over voltage category III, safe isolated power supplies (PELV)
Input		
Number/Type		2 inputs for 2- or 3-wire sensors (PNP), DC
Supply		from external auxiliary voltage U_{AUX}
Voltage		20 ... 30 V
Current loading capacity		≤ 1000 mA overload and short-circuit resistant
Input current		≤ 9 mA (limited internally)
Switching point		according to DIN EN 61131-2 (Type 2)
0 (unattenuated)		≤ 3 mA
1 (attenuated)		≥ 5 mA
Signal delay		< 1 ms (input/AS-Interface)
Directive conformity		
Electromagnetic compatibility		
Directive 2014/30/EU		EN 62026-2:2013
Standard conformity		
Degree of protection		EN 60529:2000
Fieldbus standard		EN 62026-2:2013
Input		EN 61131-2:2007
Emitted interference		EN 61000-6-4:2007
AS-Interface		EN 62026-2:2013
Noise immunity		EN 61000-6-2:2005, EN 61326-1:2006, EN 62026-2:2013
Programming instructions		
Profile		S-0.A.E
IO code		0
ID code		A
ID1 code		7
ID2 code		E
Data bits (function via AS-Interface)		Input Output
D0		IN1 -
D1		IN2 -
D2		- -
D3		- -
Parameter bits (programmable via AS-i)		function
P0		not used
P1		Input filter P1 = 0 input filter on, pulse suppression ≤ 2 ms P1 = 1 input filter off (default settings)
P2		Synchronous mode P2 = 0 synchronous mode on P2 = 1 synchronous mode off (default settings)
P3		not used
Approvals and certificates		
UL approval		cULus Listed, Type 1 enclosure
Maximum permissible ambient temperature		max. 65 °C (max. 149 °F)
Ambient conditions		
Ambient temperature		-25 ... 70 °C (-13 ... 158 °F)
Storage temperature		-25 ... 85 °C (-13 ... 185 °F)
Shock and impact resistance		30 g, 11 ms in 6 spatial directions 3 shocks 10 g, 16 ms in 6 spatial directions 1000 shocks
Vibration resistance		0.75 mm 10 ... 57 Hz, 5 g 57 ... 150 Hz, 20 cycles
Mechanical specifications		

Release date: 2022-04-13 Date of issue: 2022-04-13 Filename: 245611_eng.pdf

Technical Data

Degree of protection	IP67 IP67 / IP68 / IP69K with flat cable VAZ-FK-S*
Connection	AS-Interface, AUX: Insulation piercing technology Yellow flat cable/black flat cable Inputs/outputs: M8 round plug connector in accordance with EN 61076-2-104 Inputs: LF004-GS1-A (4-pin, bushing contacts, screw lock, A-coded) Matching connector: LM004-Gx1-A or similar Outputs: NF003-SS1-A (3-pin, bushing contacts, snap lock, A-coded) Matching connector: NM003-Sx1-A or similar
Material	
Contacts	CuSn / Au
Housing	PBT PC
Body	PUR, black
Cable	PUR
Mounting screw	Stainless steel 1.4305 / AISI 303
Cable	
Sheath diameter	Ø4,3 mm
Color	black
Cores	3 x 0.34 mm ²
Length	L 1 m
Mass	100 g
Tightening torque, fastening screws	1.65 Nm
Tightening torque, cable gland	0.4 Nm

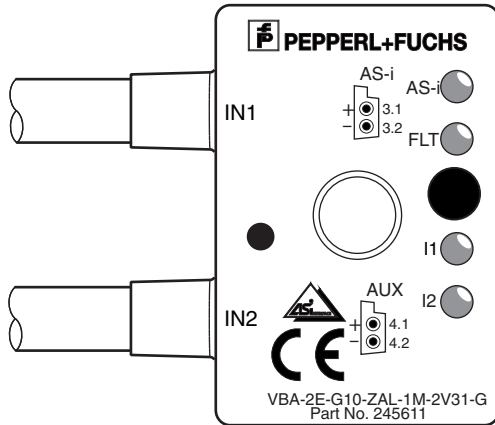
Connection



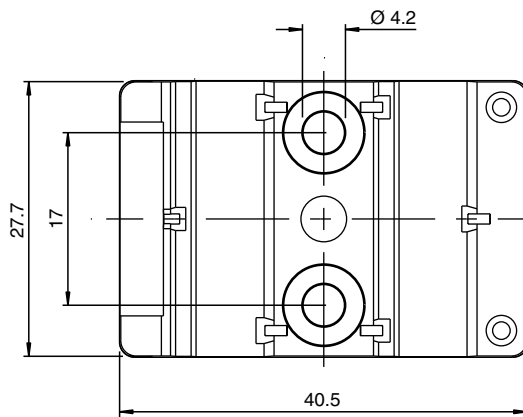
Connection

Do not connect inputs and outputs, which are supplied via the module from AS-interface or via auxiliary power, with power supply and signal circuits with external potentials.

Assembly




Mounting



You may screw the device onto a level mounting surface using two M4 attachment screws. The attachment screws are not included.

Accessories

	<p>VAZ-PK-FK-0,2M-V1-W</p>	<p>Adapter cable G10 module/hand-held programming device</p>
---	-----------------------------------	--

Release date: 2022-04-13 Date of issue: 2022-04-13 Filename: 245611_eng.pdf