

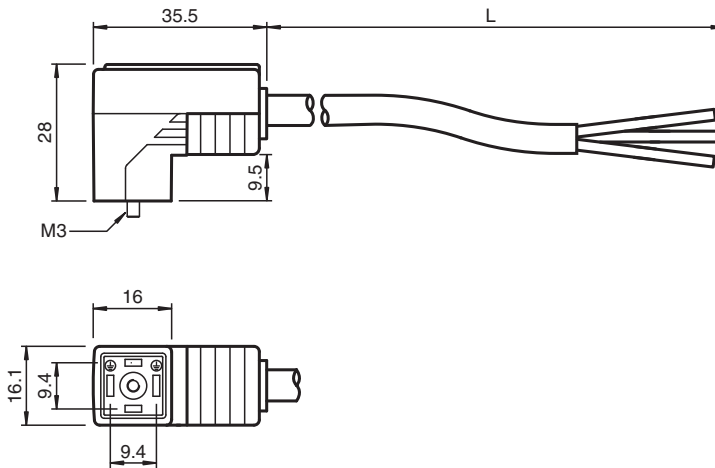
## Valve Connector Cordset VMCI-2+P/Z2-5M-PVC

- Z diode as a protective circuit
- Built-in LED, as operating and function indicator
- Moulded seal
- freely selectable cable models due to bridged protective earth
- Flame resistant cable
- Oil resistant
- Immunity to vibration

Valve connector Form C (Ind), Z-diode LED 2-pin+PE, PVC cable black



### Dimensions



### Technical Data

General specifications		
Connector 1		
Connection		Valve connector industrial version
Construction type		form C (Ind)
Style		angled
Locking		screw connection
Number of pins		2 + PE
Connector 2		
Connection		cable end
Customization		sheath stripped 50 mm
Indicators/operating means		
LED yellow		Operating display
Electrical specifications		
Operating voltage	$U_B$	24 V AC/DC
Operating current	$I_B$	max. 4 A
Suppression		Zener diode
Conformity		

Release date: 2025-02-04 Date of issue: 2025-02-04 Filename: 246191\_eng.pdf

## Technical Data

Degree of protection	EN 60529	
Plug connection	Valve connector : on the basis of DIN EN 175301-803	
Flammability	DIN VDE 0482 , DIN EN 50265-2-1 , UL 94	
Oil resistance	DIN EN 60811-2-1	
<b>Ambient conditions</b>		
Ambient temperature		
Plug connector	-20 ... 85 °C (-4 ... 185 °F)	
Cable, fixed installation	-40 ... 80 °C (-40 ... 176 °F)	
Cable, flexing	-5 ... 80 °C (23 ... 176 °F)	
Pollution degree	3	
<b>Mechanical specifications</b>		
Plug connector		
Tightening torque	0.6 Nm	
Tool installation	screw M3 x 29	
Mating cycles	min. 100	
Degree of protection	IP65 / IP67	
Cable	according to IEC/EN 60228 (DIN VDE 0295) class 5	
Sheath diameter	4.8 mm	
Bending radius	> 10 x cable diameter, movable installation > 5 x cable diameter, fixed installation	
Sheath color	black (similar to RAL 9005)	
Number of cores	3	
Core cross section	0.5 mm <sup>2</sup>	
Cores color	Core 1: black 1 Core 2: black 2 Core PE: green/yellow	
Core construction	16 x 0.2 mm Ø	
Length	L	5 m
Cable code	Li YY 3 x 0,50	
Mass	182 g	
<b>Material</b>		
Plug connector		
Body	TPU, black	
Seal	TPU , molded	
Contact surface	Sn	
Flammability	V-0	
Cable		
Sheathing	PVC	
Cores	bare copper (Cu)	
Core insulation	PVC	
Oil resistance	good	
Flammability	V-0	

## Connection

