

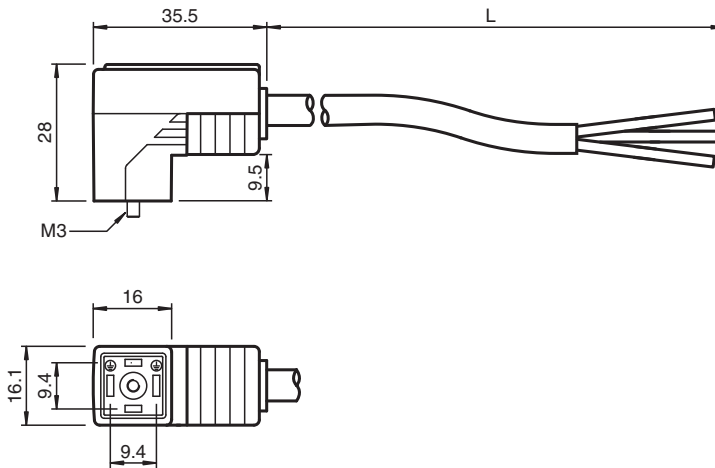
Valve Connector Cordset VMCI-2+P/Z2-2M-PVC

- Z diode as a protective circuit
- Built-in LED, as operating and function indicator
- Moulded seal
- freely selectable cable models due to bridged protective earth
- Flame resistant cable
- Oil resistant
- Immunity to vibration

Valve connector Form C (Ind), Z-diode LED 2-pin+PE, PVC cable black



Dimensions



Technical Data

General specifications		
Connector 1		
Connection		Valve connector industrial version
Construction type		form C (Ind)
Style		angled
Locking		screw connection
Number of pins		2 + PE
Connector 2		
Connection		cable end
Customization		sheath stripped 50 mm
Indicators/operating means		
LED yellow		Operating display
Electrical specifications		
Operating voltage	U_B	24 V AC/DC
Operating current	I_B	max. 4 A
Suppression		Zener diode
Conformity		

Release date: 2025-02-04 Date of issue: 2025-02-04 Filename: 246192_eng.pdf

Technical Data

Degree of protection	EN 60529
Plug connection	Valve connector : on the basis of DIN EN 175301-803
Flammability	DIN VDE 0482 , DIN EN 50265-2-1 , UL 94
Oil resistance	DIN EN 60811-2-1
Ambient conditions	
Ambient temperature	
Plug connector	-20 ... 85 °C (-4 ... 185 °F)
Cable, fixed installation	-40 ... 80 °C (-40 ... 176 °F)
Cable, flexing	-5 ... 80 °C (23 ... 176 °F)
Pollution degree	3
Mechanical specifications	
Plug connector	
Tightening torque	0.6 Nm
Tool installation	screw M3 x 29
Mating cycles	min. 100
Degree of protection	IP65 / IP67
Cable	according to IEC/EN 60228 (DIN VDE 0295) class 5
Sheath diameter	4.8 mm
Bending radius	> 10 x cable diameter, movable installation > 5 x cable diameter, fixed installation
Sheath color	black (similar to RAL 9005)
Number of cores	3
Core cross section	0.5 mm ²
Cores color	Core 1: black 1 Core 2: black 2 Core PE: green/yellow
Core construction	16 x 0.2 mm Ø
Length	L 2 m
Cable code	Li YY 3 x 0,50
Mass	93.2 g
Material	
Plug connector	
Body	TPU, black
Seal	TPU , molded
Contact surface	Sn
Flammability	V-0
Cable	
Sheathing	PVC
Cores	bare copper (Cu)
Core insulation	PVC
Oil resistance	good
Flammability	V-0

Connection

