



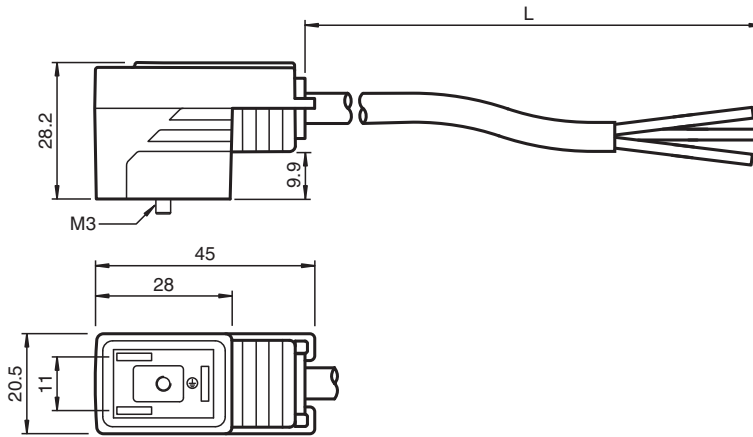
Valve Connector Cordset VMBI-2+P/Z2-5M-PVC

- Z diode as a protective circuit
- Built-in LED, as operating and function indicator
- Moulded seal
- Flame resistant cable
- Oil resistant
- Immunity to vibration

Valve connector Form B (Ind), Z-diode LED 2-pin+PE, PVC cable black



Dimensions



Technical Data

General specifications

| | |
|-------------------|------------------------------------|
| Connector 1 | |
| Connection | Valve connector industrial version |
| Construction type | form B (Ind) |
| Style | angled |
| Locking | screw connection |
| Number of pins | 2 + PE |
| Connector 2 | |
| Connection | cable end |
| Customization | sheath stripped 50 mm |

Indicators/operating means

| | |
|------------|-------------------|
| LED yellow | Operating display |
|------------|-------------------|

Electrical specifications

| | | |
|-------------------|-------------|-----------------|
| Operating voltage | U_B | max. 24 V AC/DC |
| Operating current | I_B | max. 4 A |
| Suppression | Zener diode | |

Conformity

Release date: 2025-02-04 Date of issue: 2025-02-04 Filename: 246195_eng.pdf

Technical Data

| | |
|----------------------------------|---|
| Degree of protection | EN 60529 |
| Plug connection | Valve connector : on the basis of DIN EN 175301-803 |
| Flammability | DIN VDE 0482 , DIN EN 50265-2-1 , UL 94 |
| Oil resistance | DIN EN 60811-2-1 |
| Ambient conditions | |
| Ambient temperature | |
| Plug connector | -20 ... 85 °C (-4 ... 185 °F) |
| Cable, fixed installation | -40 ... 80 °C (-40 ... 176 °F) |
| Cable, flexing | -5 ... 80 °C (23 ... 176 °F) |
| Pollution degree | 3 |
| Mechanical specifications | |
| Plug connector | |
| Tightening torque | 0.6 Nm |
| Tool installation | screw M3 x 29 |
| Mating cycles | min. 100 |
| Degree of protection | IP65 / IP67 |
| Cable | according to IEC/EN 60228 (DIN VDE 0295) class 5 |
| Sheath diameter | 4.8 mm |
| Bending radius | > 10 x cable diameter, movable installation > 5 x cable diameter, fixed installation |
| Sheath color | black (similar to RAL 9005) |
| Number of cores | 3 |
| Core cross section | 0.5 mm ² |
| Cores color | Core 1: black 1 Core 2: black 2 Core PE: green/yellow |
| Core construction | 16 x 0.2 mm Ø |
| Length | L 5 m |
| Cable code | Li YY 3 x 0,50 |
| Mass | 215.2 g |
| Material | |
| Plug connector | |
| Body | TPU, black |
| Seal | TPU , molded |
| Contact surface | Sn |
| Flammability | V-0 |
| Cable | |
| Sheathing | PVC |
| Cores | bare copper (Cu) |
| Core insulation | PVC |
| Oil resistance | good |
| Flammability | V-0 |

Connection

