



Emergency stop button

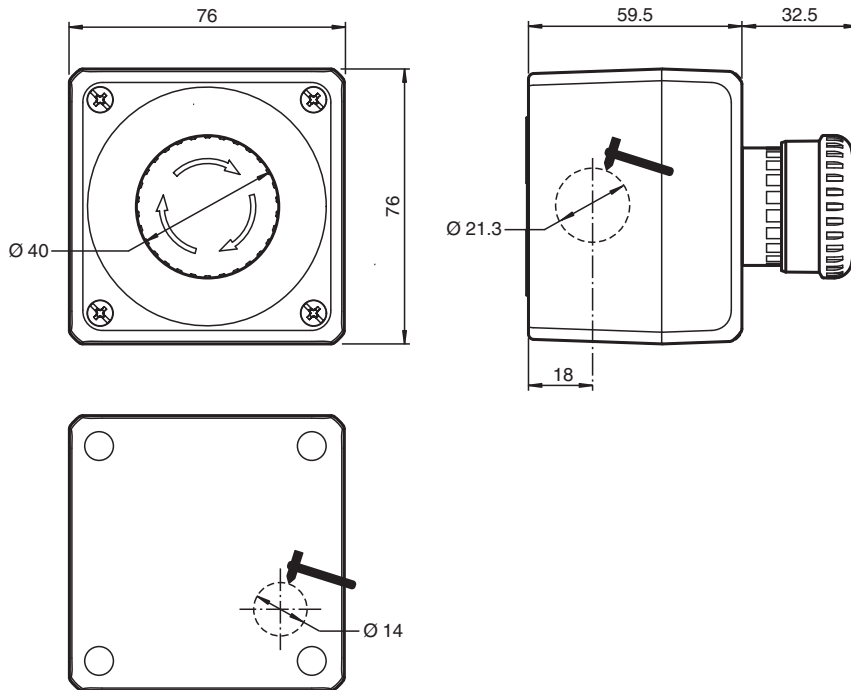
VAZ-2E1A-F85A-S

- 2-channel, compelled connected
- Integrated illumination in the actuator
- EMERGENCY STOP unlocking by turning or pulling

Emergency stop button



Dimensions



Technical Data

Functional safety related parameters

B_{10d}	100000
-----------	--------

Electrical specifications

Rated operating voltage	U_e	24 V AC/DC, $\pm 10\%$
Rated operating current	I_e	14 mA
Insulation resistance		min. 100 M Ω

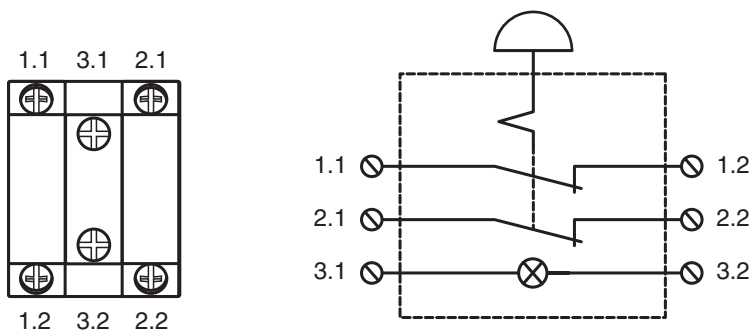
Input

Number/Type	2 NC Safety function by positive opening in accordance with IEC/EN 60947-5-1 Reset by pulling or turning
-------------	---



Technical Data

Supply	24 V AC/DC
Output	
Number/Type	LED red
Supply	24 V AC/DC
Compliance with standards and directives	
Directive conformity	
Machinery Directive 2006/42/EC	EN ISO 13850:2008 (applicable sections) EN ISO 13849-1:2006 (calculation of B10d value, Appendix C)
Low Voltage Directive 2006/95/EC	EN 60947-1:2007 EN 60947-5-5/A1:2005
Standard conformity	
Functional safety	EN 60947-1:2007 , EN 60947-5-1:2005, EN 60947-5-5/A1:2005
Degree of protection	EN 60529:2000
Ambient conditions	
Ambient temperature	-20 ... 55 °C (-4 ... 131 °F) (no freezing)
Storage temperature	-45 ... 80 °C (-49 ... 176 °F)
Relative humidity	45 ... 80 % , noncondensing
Mechanical specifications	
Degree of protection	IP65 (with appropriate cable duct)
Connection	screw terminals
Life span	> 250,000 switching operations


Connection Assignment



Matching System Components

	VAA-2E1A-G10-SAJ/EA2J-1M	G10 safety module 2 safety inputs and 1 standard electronic output
	VAA-2E1A-G10-SAJ/EA2J-2X1M	G10 safety module 2 safety inputs and 1 standard electronic output

Accessories

	VAZ-F85A-SH	Actuating protection for emergency off button
---	--------------------	---

Accessories



VAZ-F85A-MH

Mounting aid for EMERGENCY STOP button