



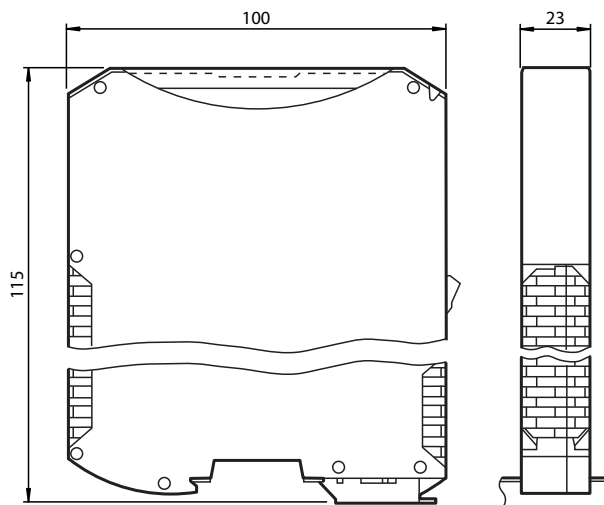
WCS interface module WCS-PNG210

- Up to 4 read heads can be connected
- DIN rail mounting
- Integrated switch
- Ethernet interface with PROFINET

WCS-Interface module with PROFINET interface



Dimensions



Technical Data

General specifications

Installation DIN rail mounting

Functional safety related parameters

MTTF_d 180 a
 Mission Time (T_M) 10 a
 Diagnostic Coverage (DC) 0 %

Electrical specifications

Operating voltage U_B 10 ... 30 V DC
 Power consumption P₀ ≤ 3.6 W (without read heads)

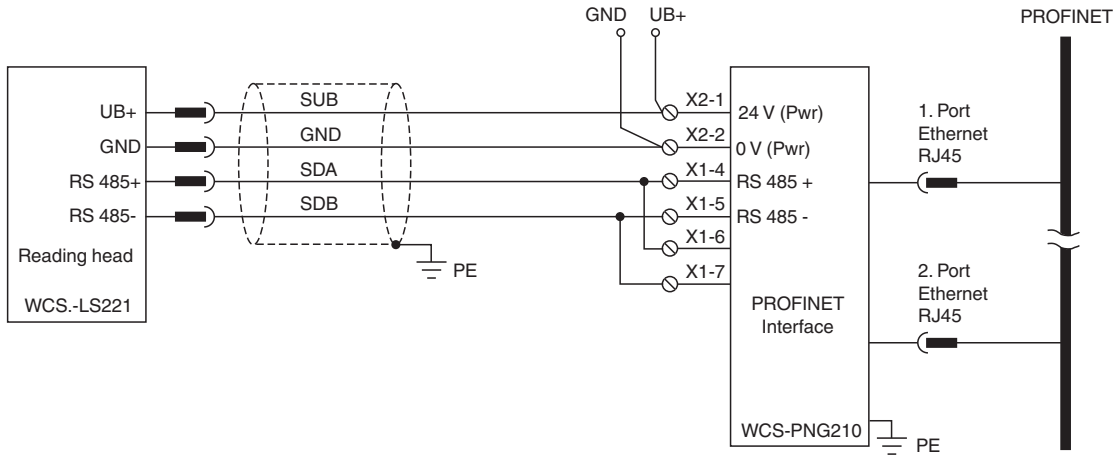
Interface 1

Release date: 2023-12-15 Date of issue: 2023-12-15 Filename: 247049_eng.pdf

Technical Data

Connection of		control system
Interface type		Ethernet; 100 BASE-TX
Protocol		PROFINET IO
Transfer rate		100 MBit/s
Data output format		binary code
Interface 2		
Connection of		control system
Interface type		Ethernet; 100 BASE-TX
Protocol		PROFINET IO
Transfer rate		100 MBit/s
Data output format		binary code
Interface 3		
Connection of		WCS read heads
Connectable read heads		WCS...-LS121 , WCS...-LS221
Interface type		RS485
Protocol		half duplex
Transfer rate		62.5 kBit/s
RS485 termination resistor		switchable
Refresh cycle of read head		1 ms
Standard conformity		
Emitted interference		EN 55011, cl. A: 2007
Noise immunity		EN 61000-6-2:2005
Approvals and certificates		
CCC approval		CCC approval / marking not required for products rated ≤36 V
Ambient conditions		
Operating temperature		-25 ... 85 °C (-13 ... 185 °F) , no moisture condensation
Storage temperature		-40 ... 85 °C (-40 ... 185 °F)
Relative humidity		≤ 80 %
Mechanical specifications		
Connection type		Interface 1 & 2: RJ-45 socket, 8-pin Interface 3: terminal connection ≤ 2.5 mm ² Interface 4: Terminal connection, 2-pin
Housing width		23 mm
Housing height		111 mm
Housing depth		115 mm
Degree of protection		IP20
Material		plastic
Installation position		any position
Mass		approx. 150 g

Connection



Release date: 2023-12-15 Date of issue: 2023-12-15 Filename: 247049_eng.pdf