



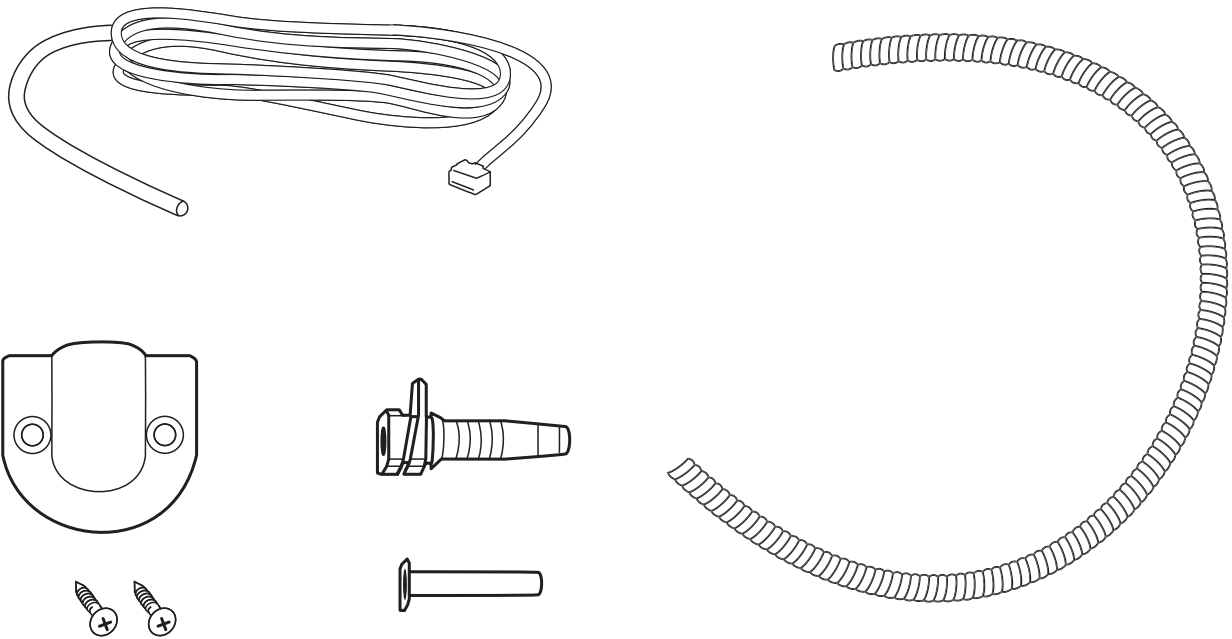
## DoorScan® door transition cable DoorScan Transfer Loop



- Door transition cable to connect the sensor to the controller
- Connection to interface module

Door transition cable to door controller for DoorScan® sensor, including cable sheathing and strain relief

### Dimensions



### Technical Data

#### Electrical specifications

Operating voltage  $U_B$  max. 300 V

#### Ambient conditions

Ambient temperature -25 ... 80 °C (-13 ... 176 °F)

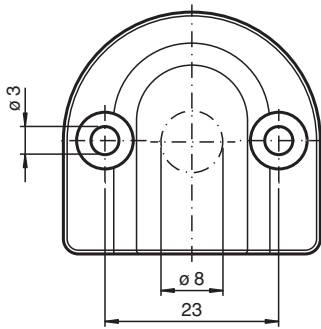
#### Mechanical specifications

## Technical Data

Connection	screw terminal , 6-pin	
Material	Cable sheathing: polyamide PA 6, black , Wall bracket: ABS	
Cable	PUR, gray, 6-wire	
Sheath diameter	approx. 4.8 mm	
Bending radius	min. 48 mm	
Length	L	5000 mm
Mass	approx. 110 g	
<b>General information</b>		
Scope of delivery	Wall bracket , Screw kit , cord grip , cable , Cable sheathing , Hollow rivet	
<b>Suitable series</b>		
Series	DoorScan®	

## Mounting

### Wall mount bracket



1	BN	24V
2	BU	0V
3	GY	TEST
4		STANDBY
5	BK	BS OUT
6	WH	BGS OUT