



### Model Number

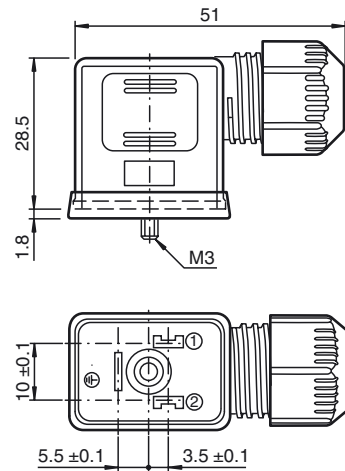
**VMB-2+P**

Valve connector Form B, non pre-wired

### Features

- Valve connector as per EN 175301-803
- Degree of protection IP67

### Dimensions



### Technical data

#### General specifications

Number of pins 2 + PE

#### Electrical specifications

Operating voltage  $U_B$  250 V AC / 300 V DC

Operating current  $I_B$  max. 16 A

Volume resistance  $< 4 \text{ m}\omega$

#### Ambient conditions

Ambient temperature  $-40 \dots 90 \text{ }^\circ\text{C}$  ( $-40 \dots 194 \text{ }^\circ\text{F}$ )

Storage temperature  $-40 \dots 125 \text{ }^\circ\text{C}$  ( $-40 \dots 257 \text{ }^\circ\text{F}$ )

#### Mechanical specifications

Degree of protection IP67

Connection Valve connector Form B screw terminal for max.  $1.5 \text{ mm}^2$ ; 16 AWG

#### Material

Contact surface Ag

Body PA, black

Seal NBR

#### Cable

Sheath diameter 4 ... 9 mm

### Electrical connection

