



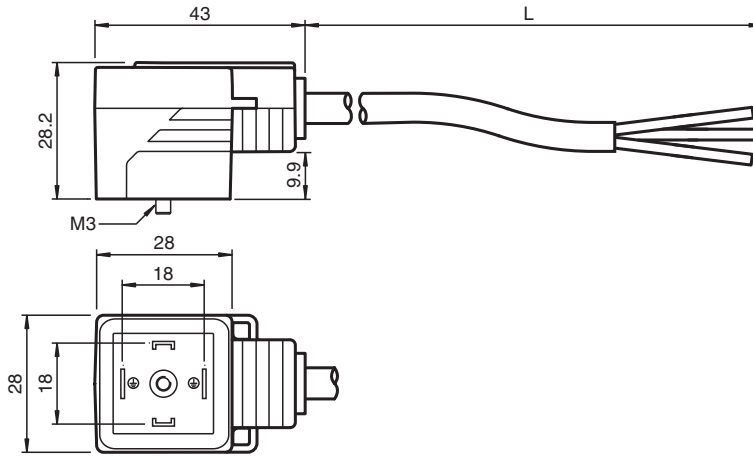
## Valve Connector Cordset VMA-2+P-5M-PUR

- Valve connector according EN 175301-803 A/ISO 4400
- Moulded seal
- Suitable for drag chains and abrasion resistant
- freely selectable cable models due to bridged protective earth
- Flame resistant cable
- Halogen-free
- Oil resistant
- Immunity to vibration

Valve connector Form A, 2-pin+PE, PUR cable black, drag chain suitable



### Dimensions



### Technical Data

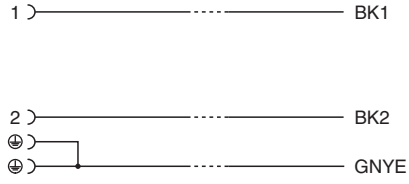
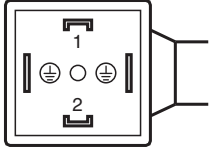
| General specifications    |       |   |  |
|---------------------------|-------|---|--|
| Connector 1               |       |   |  |
| Connection                |       | Valve connector DIN                     |  |
| Construction type         |       | form A                                  |  |
| Style                     |       | angled                                  |  |
| Locking                   |       | screw connection                        |  |
| Number of pins            |       | 2 + PE                                  |  |
| Connector 2               |       |   |  |
| Connection                |       | cable end                               |  |
| Customization             |       | sheath stripped 50 mm                   |  |
| Electrical specifications |       |   |  |
| Operating voltage         | $U_B$ | max. 230 V AC/DC                        |  |
| Operating current         | $I_B$ | max. 6 A                                |  |
| Conformity                |       |   |  |
| Degree of protection      |       | EN 60529                                |  |
| Plug connection           |       | Valve connector : DIN EN 175301-803     |  |
| Flammability              |       | DIN VDE 0482 , DIN EN 50265-2-1 , UL 94 |  |

Release date: 2025-02-09 Date of issue: 2025-02-09 Filename: 247705\_eng.pdf

## Technical Data

|                                  |   |   |
|----------------------------------|---|---|
| Halogen-free                     |   | DIN VDE 0472-815  |
| UV resistance                    |   | DIN EN ISO 4892-2-A   |
| Oil resistance                   |   | DIN EN 60811-2-1  |
| <b>Ambient conditions</b>        |   |   |
| Ambient temperature              |   |   |
| Plug connector                   |   | -20 ... 85 °C (-4 ... 185 °F)   |
| Cable, fixed installation        |   | -40 ... 80 °C (-40 ... 176 °F)  |
| Cable, flexing                   |   | -20 ... 80 °C (-4 ... 176 °F)   |
| Pollution degree                 |   | 3   |
| <b>Mechanical specifications</b> |   |   |
| Plug connector                   |   |   |
| Tightening torque                |   | 0.6 Nm  |
| Tool installation                |   | screw M3 x 29   |
| Mating cycles                    |   | min. 100  |
| Degree of protection             |   | IP65 / IP67   |
| Cable                            |   |   |
| Sheath diameter                  |   | 4.5 mm  |
| Bending radius                   |   | > 10 x cable diameter, movable installation<br>> 5 x cable diameter, fixed installation |
| Sheath color                     |   | black (similar to RAL 7021)   |
| Number of cores                  |   | 3   |
| Core cross section               |   | 0.5 mm <sup>2</sup>   |
| Cores color                      |   | Core 1: black 1<br>Core 2: black 2<br>Core PE: green/yellow                             |
| Core construction                |   | 28 x 0.15 mm Ø  |
| Length                           | L | 5 m   |
| Cable code                       |   | Li 9Y 11Y 3 x 0,50  |
| Drag chain suitability           |   |   |
| Drag chain cycles                |   | min. 15000000   |
| Motion velocity                  |   | max. 5 m/s  |
| Traverse distance                |   | 0.9 m   |
| Acceleration                     |   | max. 30 m/s <sup>2</sup>  |
| Mass                             |   | 189 g   |
| <b>Material</b>                  |   |   |
| Halogen-free                     |   | yes   |
| Plug connector                   |   |   |
| Body                             |   | TPU, black  |
| Seal                             |   | TPU , molded  |
| Contact surface                  |   | Sn  |
| Flammability                     |   | V-0   |
| Cable                            |   |   |
| Sheathing                        |   | PUR   |
| Cores                            |   | bare copper (Cu)  |
| Core insulation                  |   | PP  |
| UV resistance                    |   | yes   |
| Oil resistance                   |   | good  |
| Flammability                     |   | V-0   |

Connection



Release date: 2025-02-09 Date of issue: 2025-02-09 Filename: 247705\_eng.pdf