



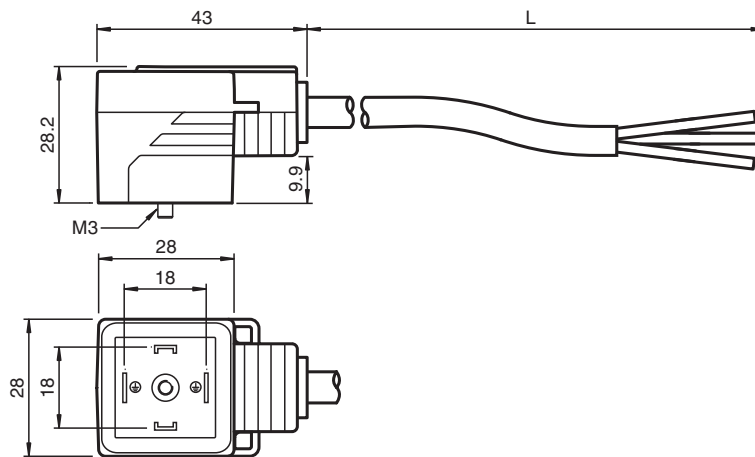
Valve Connector Cordset VMA-2+P/Z2-3M-PUR-0,75

- Valve connector according EN 175301-803 A/ISO 4400
- Z diode as a protective circuit
- Built-in LED, as operating and function indicator
- Moulded seal
- freely selectable cable models due to bridged protective earth
- Flame resistant cable
- UL Recognized Component

Valve connector, Form A, 2+PE, Z diode, PUR cable



Dimensions



Technical Data

General specifications		
Number of pins		2 + PE
Connection 1		Valve connector DIN
Construction type 1		angled
Connection 2		cabl end
Indicators/operating means		
LED yellow		Functional display
Electrical specifications		
Operating voltage	U_B	24 V AC/DC
Operating current	I_B	max. 4 A
Volume resistance		< 5 m Ω
Suppression		Zener diode
Ambient conditions		
Ambient temperature		Body: -25 ... 85 °C (-13 ... 185 °F) cable, movable installation: -5 ... 80 °C (23 ... 176 °F) cable, fixed installation: -40 ... 80 °C (-40 ... 176 °F)
Pollution degree		3
Mechanical specifications		

Release date: 2025-03-19 Date of issue: 2025-03-19 Filename: 247716_eng.pdf

Technical Data

Degree of protection	IP65 / IP67	
Connection	Valve connector Form A	
Material		
Contacts	CuSn	
Contact surface	Sn	
Body	TPU, black	
Cable	PUR	
Core insulation	PVC	
Cable		
Sheath diameter	Ø 5.8 mm	
Bending radius	> 10 x cable diameter, movable installation	
Color	black molded finish (RAL 9005)	
Cores	3 x 0.75 mm ² ; 18 AWG	
Conductor construction	24 x 0.2 mm Ø	
Length	L	3 m
Mass	182.96 g	

Connection Assignment

