

Y connection cable

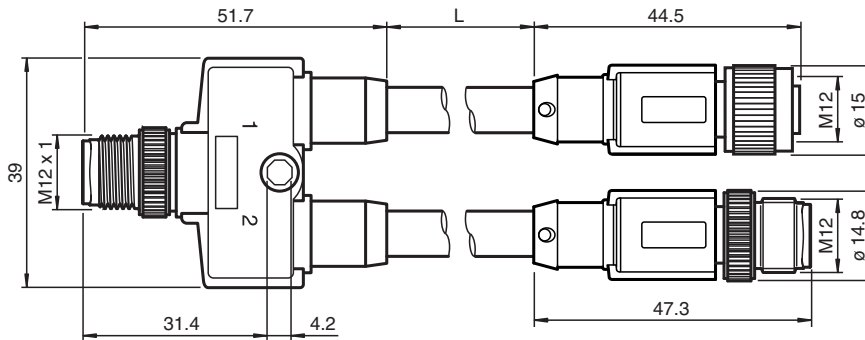
ICZ-3T-0,3M-PUR ABG-V15B-G



- Replacement of devices without bus interruption possible
- Screen put on the coupling nut and Pin 5
- Data transmission up to 12 Mbaud

Y connection cable for PROFIBUS

Dimensions



Technical Data

General specifications		
Number of pins		2 + 1 x screen
Transfer rate		max. 12 MBit/s
Electrical specifications		
Rated voltage	U_r	30 V
Rated current	I_r	4 A
Volume resistance		$\leq 5 \text{ m}\Omega$
Ambient conditions		
Ambient temperature		Body: -25 ... 90 °C (-13 ... 194 °F) cable, fixed installation: -40 ... 80 °C (-40 ... 176 °F) cable, movable installation: -20 ... 80 °C (-4 ... 176 °F)
Mechanical specifications		
Degree of protection		IP65
Connection		4-pin M12 connector/socket, B-coded for PROFIBUS
Material		
Contacts		CuSn
Contact surface		Ni/Au
Body		TPU, black
Cable		PUR
Slotted nut		Zinc diecast, nickel-plated
Core insulation		PE

Release date: 2025-04-10 Date of issue: 2025-04-10 Filename: 249684_eng.pdf

Technical Data

Cable		
Sheath diameter		Ø 7.8 mm
Bending radius		> 10 x cable diameter, movable installation
Color		violet
Cores		2 x 0.25 mm ²
Length	L	0.3 m
Mass		approx. 105 g

Connection Assignment

