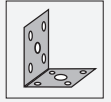


Mounting aid

OMH-RL28

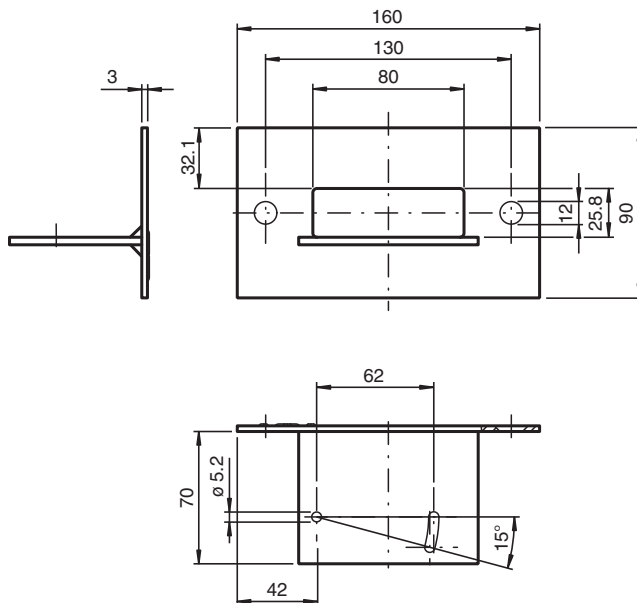


- Mounting bracket
- Simple and fast mounting



Retainer

Dimensions



Technical Data

Ambient conditions

Ambient temperature	-40 ... 80 °C (-40 ... 176 °F)
Storage temperature	-40 ... 80 °C (-40 ... 176 °F)

Mechanical specifications

Material	
Housing	Zinc plated steel
Mass	approx. 530 g
Mounting	Mounting accessories included