



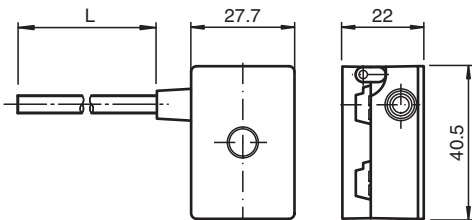
## AS-Interface splitter box VAZ-T1-FK-G10-2M-PUR

- One piece housing
- Simple and fast mounting
- Gold-plated and machined contacts
- Oil- and abrasion-resistant PUR cable
- Immunity to vibration
- Degree of protection IP68 / IP69K
- Halogen-free

G10 junction block, AS-Interface to open cable end



### Dimensions



### Technical Data

#### General specifications

Construction type	Open cable end AS-Interface flat cable terminals
-------------------	---

#### Electrical specifications

Rated operating voltage	$U_e$	$\leq 60$ V PELV
Rated operating current	$I_e$	$\leq 4$ A
Protection class		III
Surge protection		overvoltage category III

#### Compliance with standards and directives

Standard conformity	
Degree of protection	EN 60529:2000

#### Approvals and certificates

UL approval	cULus Listed, Type 1 enclosure
Application	for use in NFPA 79 applications
Maximum permissible operating voltage	max. 32 V
Maximum permissible ambient temperature	max. 55 °C (max. 131 °F)
UL File Number	E223772

#### Ambient conditions

Ambient temperature	-25 ... 75 °C (-13 ... 167 °F)
Storage temperature	-25 ... 85 °C (-13 ... 185 °F)
Pollution degree	3

#### Mechanical specifications

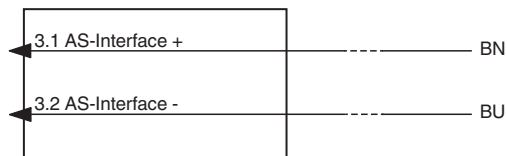
Degree of protection	IP67 IP67 / IP68 / IP69K with flat cable VAZ-FK-S-*
----------------------	--

Release date: 2024-12-12 Date of issue: 2024-12-12 Filename: 250830\_eng.pdf

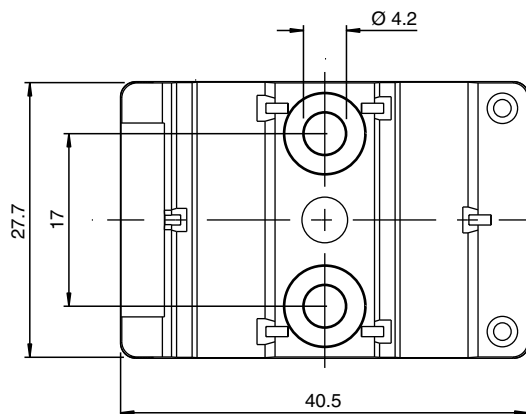
## Technical Data

Connection		Flat cable AS-Interface: cable piercing method Round cable
Material		
Contacts		CuSn / Au
Housing		PBT PC
Cable		PUR
Mounting screw		Stainless steel 1.4305 / AISI 303
Cable		
Sheath diameter		Ø4,3 mm
Color		black
Cores		2 x 0.5 mm <sup>2</sup>
Length	L	2 m
Mass		100 g
Tightening torque, fastening screws		1.65 Nm
Dimensions		
Height		22 mm
Width		27.7 mm
Length		40.5 mm
Note		The unused flat cable connector is closed with a seal.

## Connection



## Mounting



You may screw the device onto a level mounting surface using two M4 attachment screws. The attachment screws are not included.