



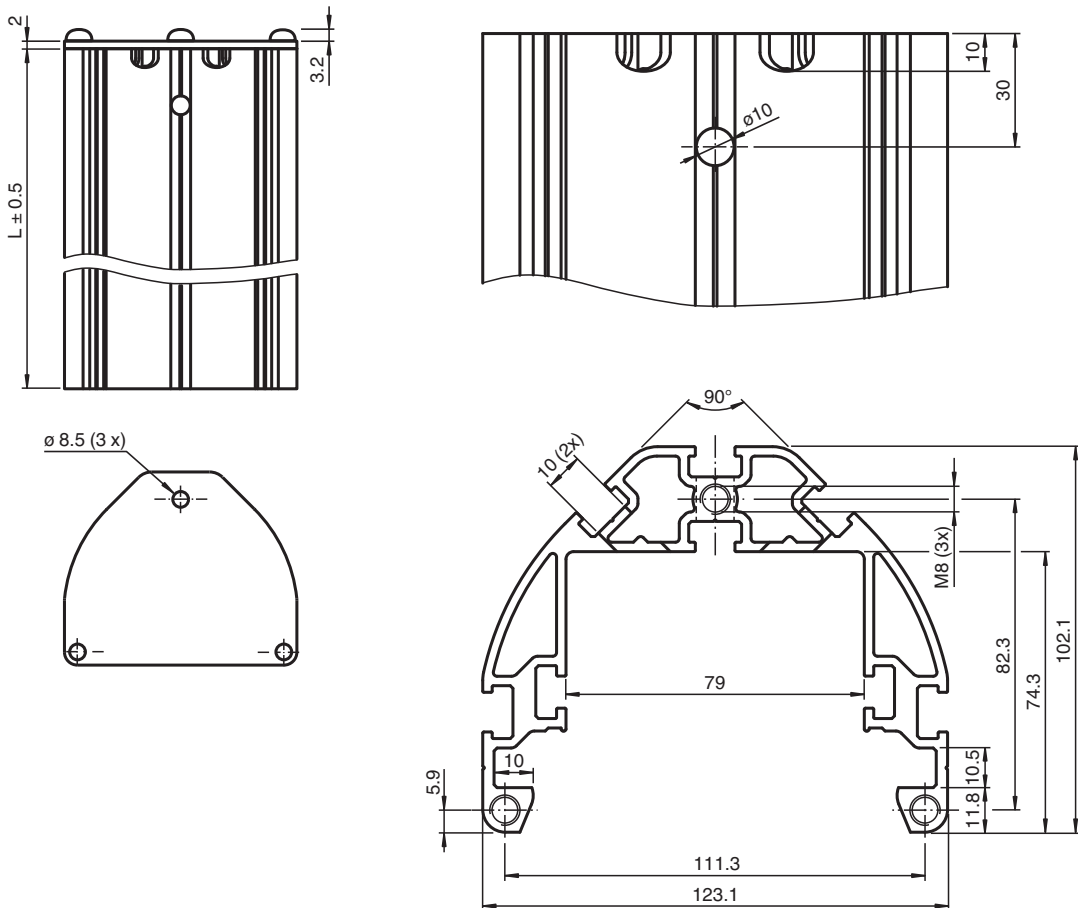
## Accessories Safety OMH-SLCT-100-1500



- Eight grooves for mounting photoelectric sensors or accessories, three on the inside and five on the outside
- Corner mounting of photoelectric sensors with a directional difference of 90°
- Cover prepared for indicator light mounting

Mounting base for floor mounting and cover plate

### Dimensions



### Technical Data

#### General specifications

Setting angle	± 5 ° with product OMH-SLCT-200
Tilting angle	± 2.5 ° with product OMH-SLCT-200

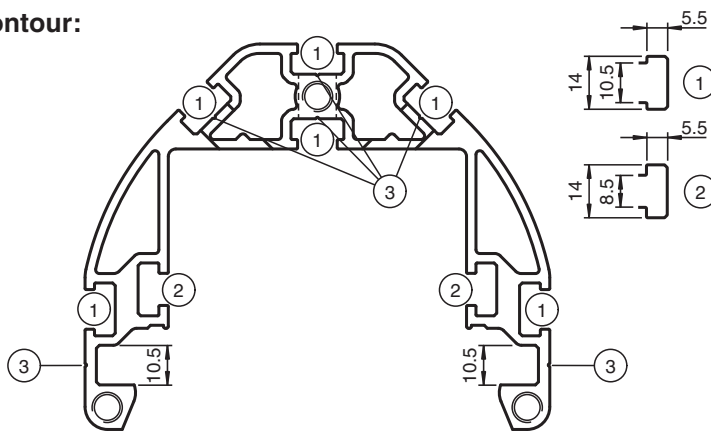
**Technical Data**

<b>Ambient conditions</b>	
Ambient temperature	-40 ... 80 °C (-40 ... 176 °F)
Storage temperature	-40 ... 80 °C (-40 ... 176 °F)
Relative humidity	80 % , noncondensing
<b>Mechanical specifications</b>	
Housing length L	1480 mm
Material	
Housing	anodized aluminum
Mass	approx. 7 kg
<b>General information</b>	
Scope of delivery	Mounting base, cover plate The three fillister head screws for the cover plate are supplied with the floor mount
<b>Suitable series</b>	
Safety Series	SLCT / SLCS

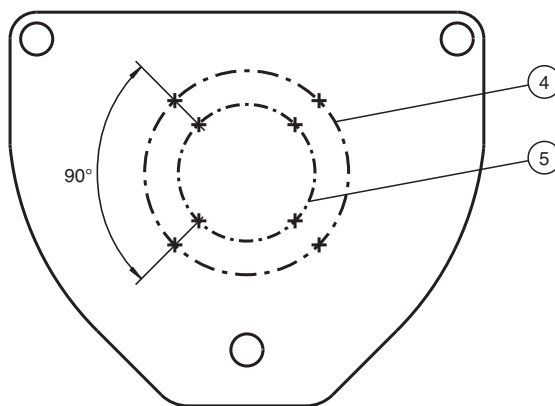
**Installation**

**Mounting options**

**Contour:**



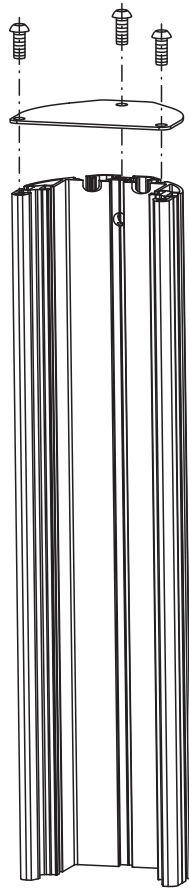
**Cover:**








1	10 mm t-nut	2	8 mm t-nut	3	Marker point for drilling
4	Marking ø36	5	Marking ø54		

Release date: 2020-11-09 Date of issue: 2020-11-09 Filename: 251610\_eng.pdf

## Mounting



## Accessories

	<b>OMH-SLCT-200</b>	Floor mount
	<b>OMH-SLCT-120-1500</b>	Side protection for mounting base
	<b>OMH-SLCT-10</b>	Clamp mounting suitable for 6 mm ... 11.5 mm groove
	<b>OMH-SLCT-11</b>	Reverse clamp mounting suitable for 8.5 mm ... 10.5 mm groove
	<b>OMH-SLCT-12-500</b>	Mounting bracket, muting arm with round rod d=12 mm

## Accessories

Other suitable accessories can be found at [www.pepperl-fuchs.com](http://www.pepperl-fuchs.com)