

Technical Data

Ambient conditions

Ambient temperature	-40 ... 80 °C (-40 ... 176 °F)
Storage temperature	-40 ... 80 °C (-40 ... 176 °F)
Relative humidity	80 % , noncondensing

Mechanical specifications

Housing length L	1480 mm
Material	
Housing	anodized aluminum , Steel
Mass	approx. 8.8 kg

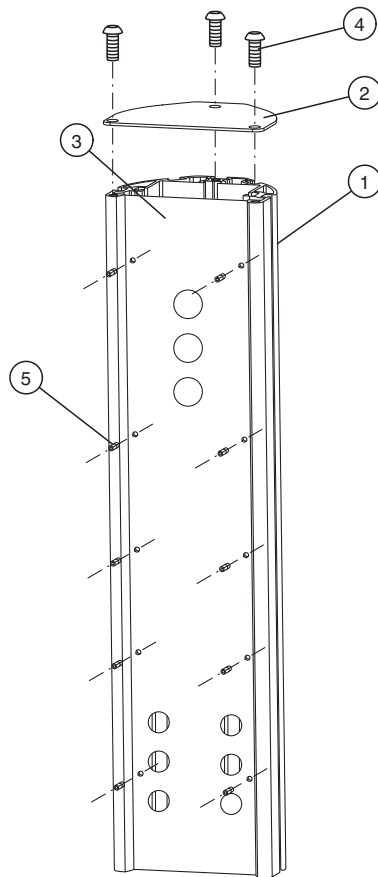
General information

Scope of delivery	Mounting base, back plane, cover plate The three fillister head screws for the cover plate are supplied with the floor mount
-------------------	---

Suitable series

Safety Series	SLCT / SLCS
---------------	-------------

Mounting

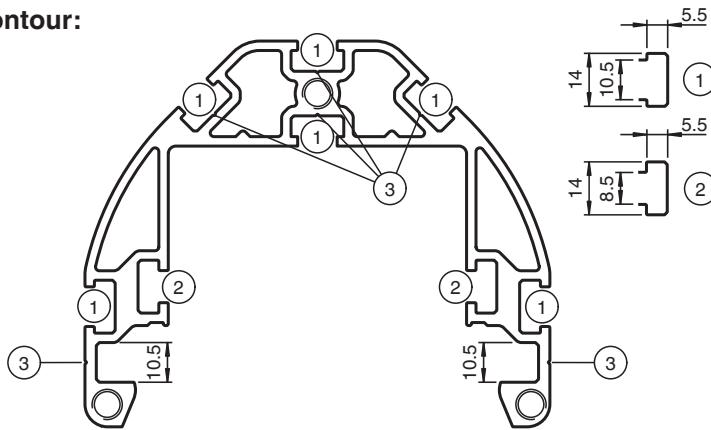


1	Mounting base	2	Cover plate	3	Back plane
4	Rounded head screw M8 x 20	5	Headless screw M4 x 16		

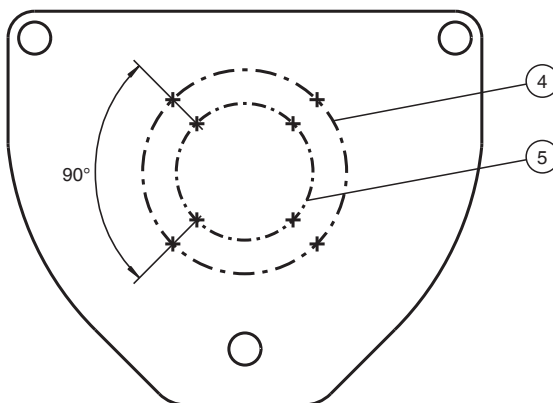
Installation

Mounting options

Contour:



Cover:



1	10 mm t-nut	2	8 mm t-nut	3	Marker point for drilling
4	Marking ø36	5	Marking ø54		

Accessories

	OMH-SLCT-200	Floor mount
	OMH-SLCT-120-1500	Side protection for mounting base
	OMH-SLCT-10	Clamp mounting suitable for 6 mm ... 11.5 mm groove
	OMH-SLCT-11	Reverse clamp mounting suitable for 8.5 mm ... 10.5 mm groove
	OMH-SLCT-12-500	Mounting bracket, muting arm with round rod d=12 mm

Release date: 2020-11-09 Date of issue: 2020-11-09 Filename: 251614_eng.pdf

Accessories

Other suitable accessories can be found at www.pepperl-fuchs.com