



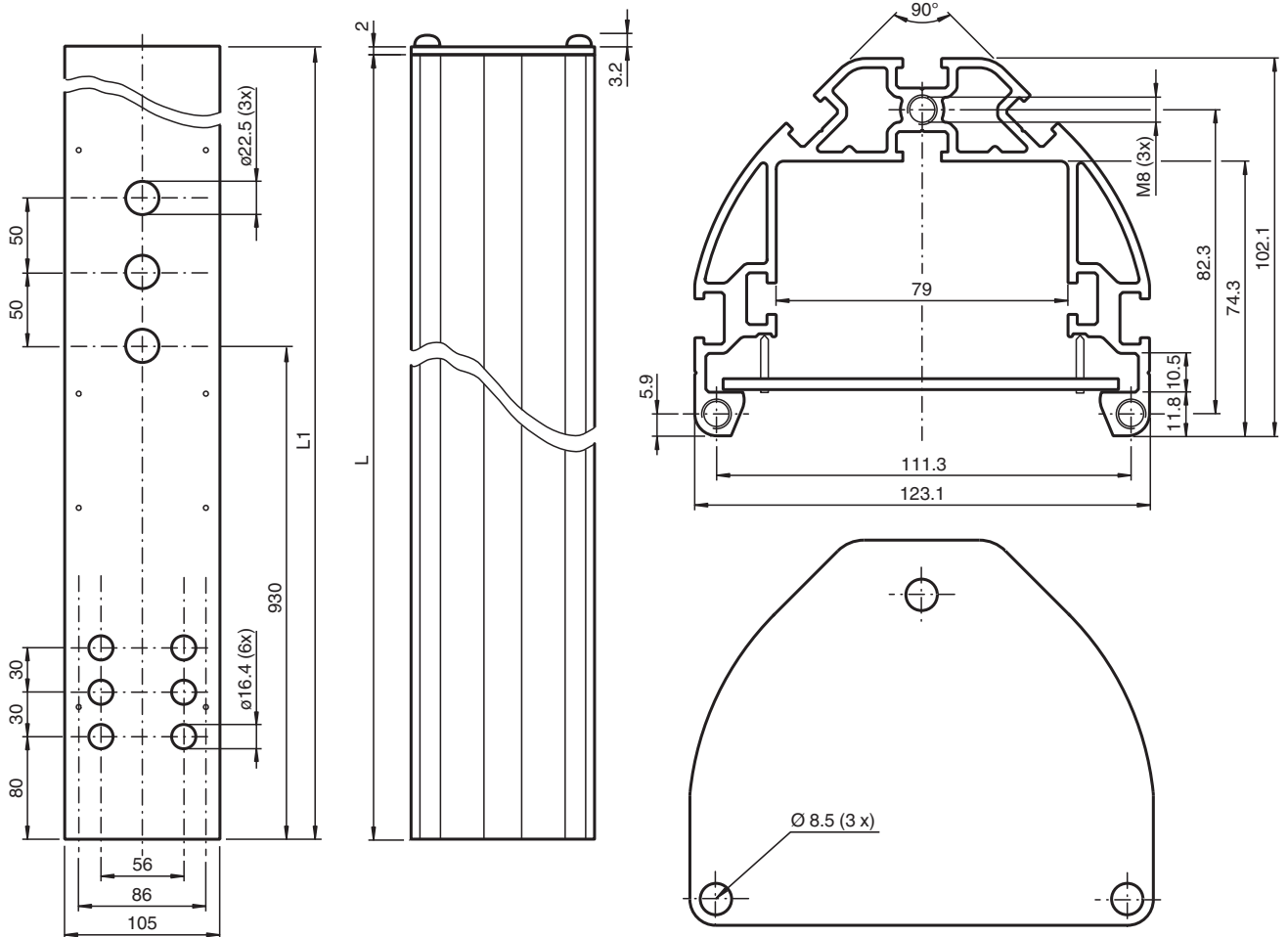
Accessories Safety OMH-SLCT-110-2100



- Eight grooves for mounting photoelectric sensors or accessories, three on the inside and five on the outside
- Corner mounting of photoelectric sensors with a directional difference of 90°
- Cover prepared for indicator light mounting
- Rear panel prepared for 3 sensors and 6 cable glands

Mounting base for floor mounting with rear panel and cover plate

Dimensions



Technical Data

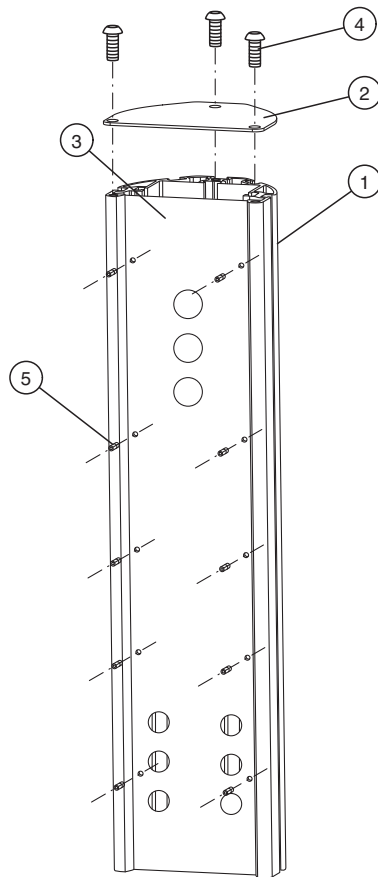
General specifications

Setting angle	± 5 ° with product OMH-SLCT-200
Tilting angle	± 2.5 ° with product OMH-SLCT-200

Technical Data

Ambient conditions	
Ambient temperature	-40 ... 80 °C (-40 ... 176 °F)
Storage temperature	-40 ... 80 °C (-40 ... 176 °F)
Relative humidity	80 % , noncondensing
Mechanical specifications	
Housing length L	2080 mm
Material	
Housing	anodized aluminum , Steel
Mass	approx. 12.4 kg
General information	
Scope of delivery	Mounting base, back plane, cover plate The three fillister head screws for the cover plate are supplied with the floor mount
Suitable series	
Safety Series	SLCT / SLCS

Mounting



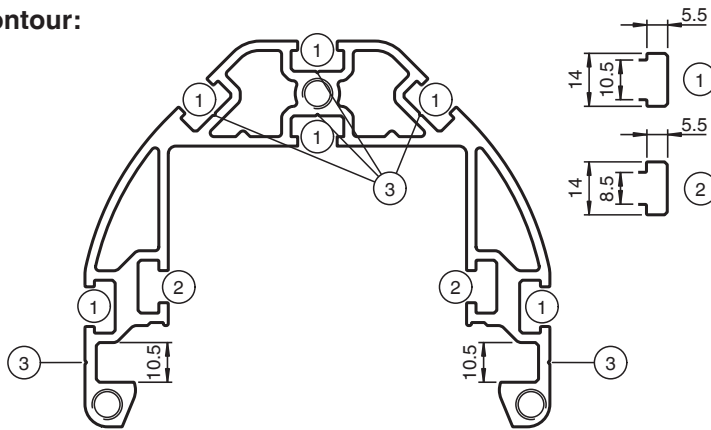
1	Mounting base	2	Cover plate	3	Back plane
4	Rounded head screw M8 x 20	5	Headless screw M4 x 16		

Release date: 2020-11-09 Date of issue: 2020-11-09 Filename: 251615_eng.pdf

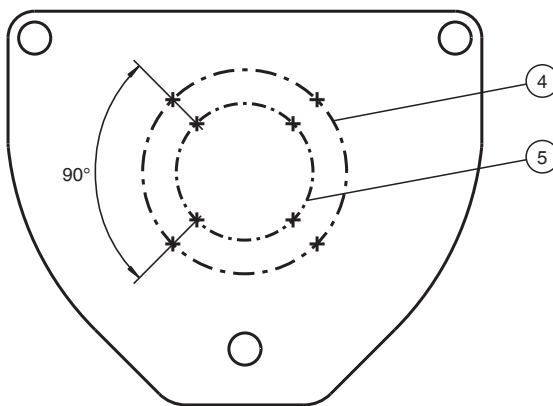
Installation

Mounting options

Contour:








Cover:



1	10 mm t-nut	2	8 mm t-nut	3	Marker point for drilling
4	Marking $\varnothing 36$	5	Marking $\varnothing 54$		

Accessories

	OMH-SLCT-200	Floor mount
	OMH-SLCT-120-2100	Side protection for mounting base
	OMH-SLCT-10	Clamp mounting suitable for 6 mm ... 11.5 mm groove
	OMH-SLCT-11	Reverse clamp mounting suitable for 8.5 mm ... 10.5 mm groove
	OMH-SLCT-12-500	Mounting bracket, muting arm with round rod d=12 mm

Accessories

Other suitable accessories can be found at www.pepperl-fuchs.com