



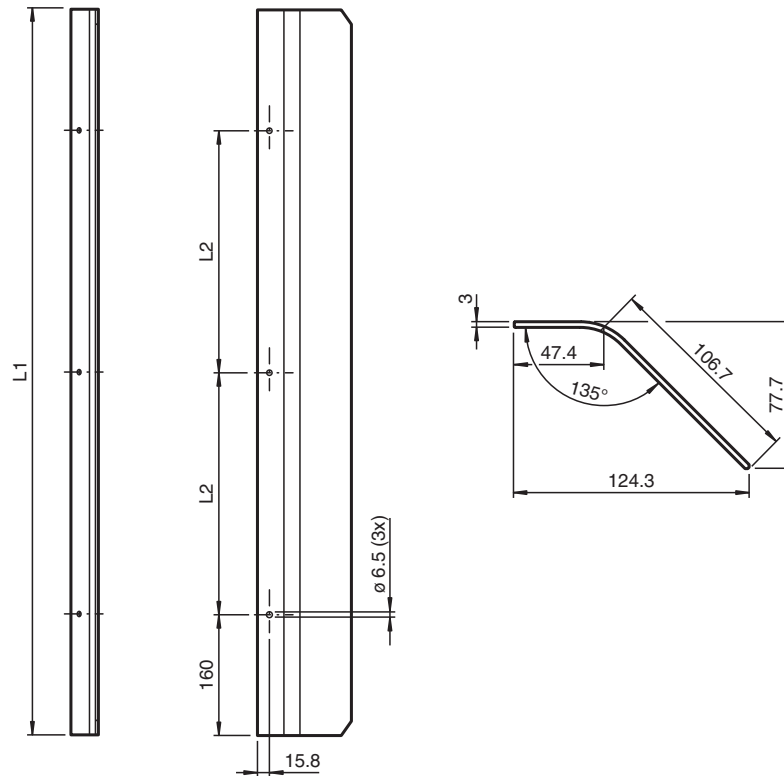
Accessories Safety OMH-SLCT-120-1200



- Side protection for the OMH-SLCT-100 and OMH-SLCT-110 mounting bases

Side protection for mounting base

Dimensions



Technical Data

Ambient conditions

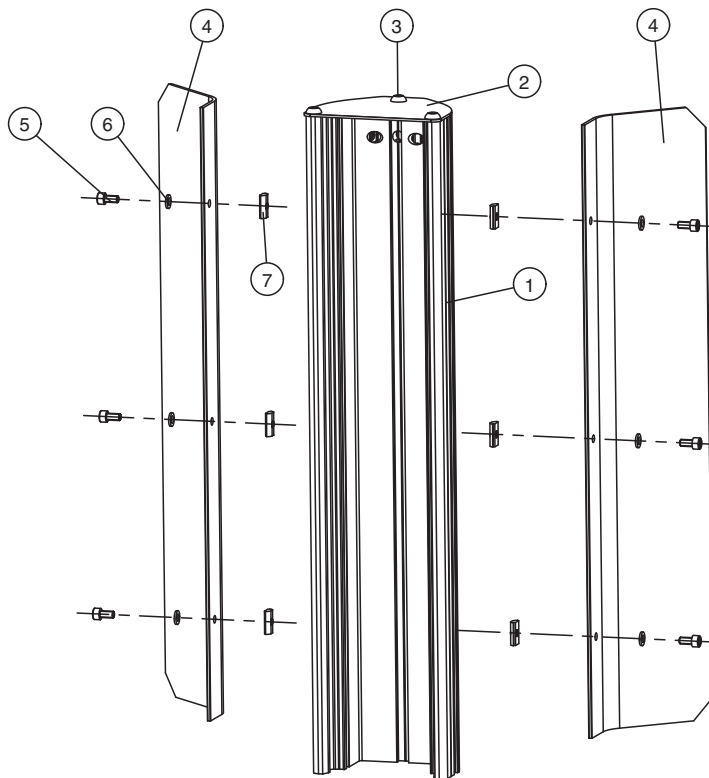
Ambient temperature	-40 ... 80 °C (-40 ... 176 °F)
Storage temperature	-40 ... 80 °C (-40 ... 176 °F)

Release date: 2020-11-09 Date of issue: 2020-11-09 Filename: 251618_eng.pdf

Technical Data



Relative humidity	80 % , noncondensing
Mechanical specifications	
Housing length L	1140 mm
Material	
Housing	anodized aluminum
Mounting screw	Steel
Mass	approx. 2.8 kg
Mounting	Mounting accessories included
General information	
Scope of delivery	2x lateral protection, mounting materials
Suitable series	
Safety Series	SLCT / SLCS

Mounting



1 Mounting base	4 Lateral protection	7 Spring T-nut M6
2 Cover plate	5 Socket cap screw M6 x 12	
3 Rounded head screw M8 x 20	6 Washer	

Accessories

	OMH-SLCT-100-1200	Mounting base for floor mounting and cover plate
	OMH-SLCT-110-1200	Mounting base for floor mounting with rear panel and cover plate

Release date: 2020-11-09 Date of issue: 2020-11-09 Filename: 251618_eng.pdf

Accessories

Other suitable accessories can be found at www.pepperl-fuchs.com