



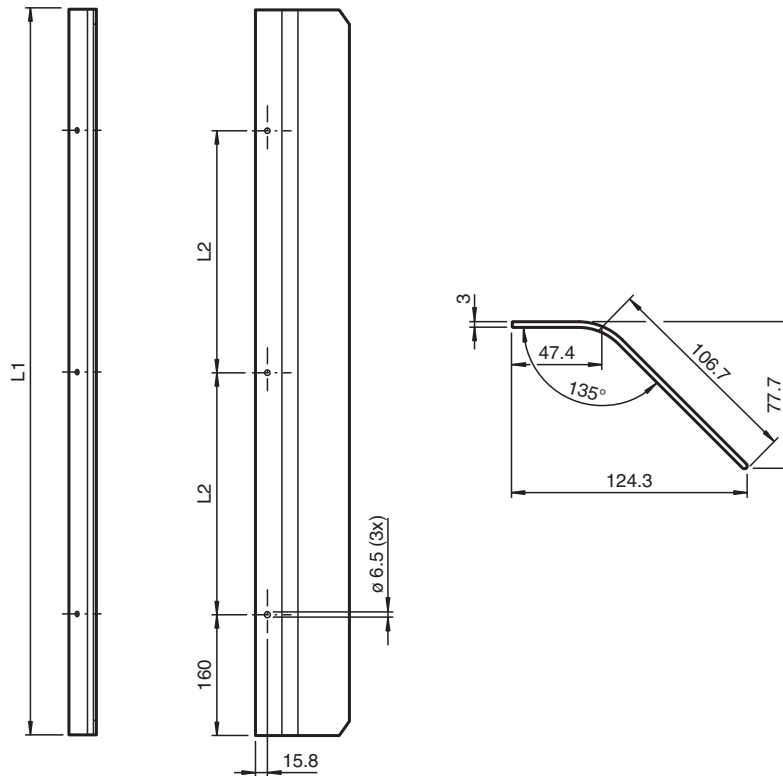
## Accessories Safety OMH-SLCT-120-1500



- Side protection for the OMH-SLCT-100 and OMH-SLCT-110 mounting bases

Side protection for mounting base

### Dimensions



### Technical Data

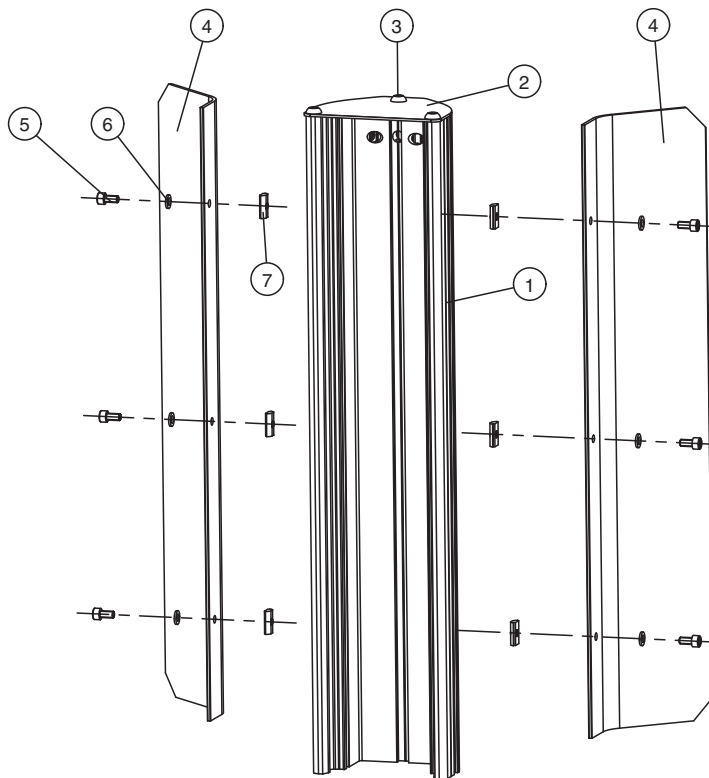
#### Ambient conditions

Ambient temperature	-40 ... 80 °C (-40 ... 176 °F)
Storage temperature	-40 ... 80 °C (-40 ... 176 °F)

**Technical Data**



Relative humidity	80 % , noncondensing
<b>Mechanical specifications</b>	
Housing length L	1440 mm
Material	
Housing	anodized aluminum
Mounting screw	Steel
Mass	approx. 3.4 kg
Mounting	Mounting accessories included
<b>General information</b>	
Scope of delivery	2x lateral protection, mounting materials
<b>Suitable series</b>	
Safety Series	SLCT / SLCS

**Mounting**



1 Mounting base	4 Lateral protection	7 Spring T-nut M6
2 Cover plate	5 Socket cap screw M6 x 12	
3 Rounded head screw M8 x 20	6 Washer	

**Accessories**

	<b>OMH-SLCT-100-1500</b>	Mounting base for floor mounting and cover plate
	<b>OMH-SLCT-110-1500</b>	Mounting base for floor mounting with rear panel and cover plate

Release date: 2020-11-09 Date of issue: 2020-11-09 Filename: 251619\_eng.pdf

## Accessories

Other suitable accessories can be found at [www.pepperl-fuchs.com](http://www.pepperl-fuchs.com)