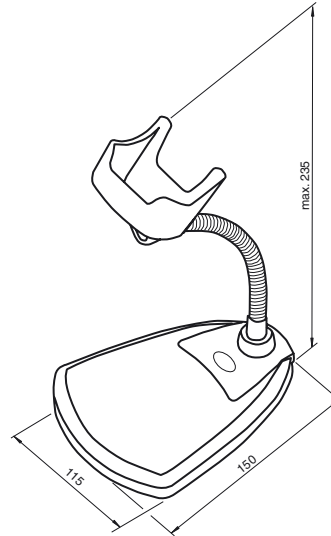


**Model Number****OHV-BRACKET**

End stop for OHV100-F222-R2

Dimensions**Technical data****Mechanical specifications**

Mass	approx. 382 g
Dimensions	115 mm x 235 mm x 15 mm (W x H x D)