



Stationary read device

ODV120-F200-R2

- 10 m/s motion speed
- 30 scans per second
- All common 1-D or 2-D codes can be read
- Integrated error image memory
- Code quality index output

Stationary multicode read device for all common 1-D, 2-D and Pharmacodes at speeds of 10 m/s, XVGA resolution, Ethernet



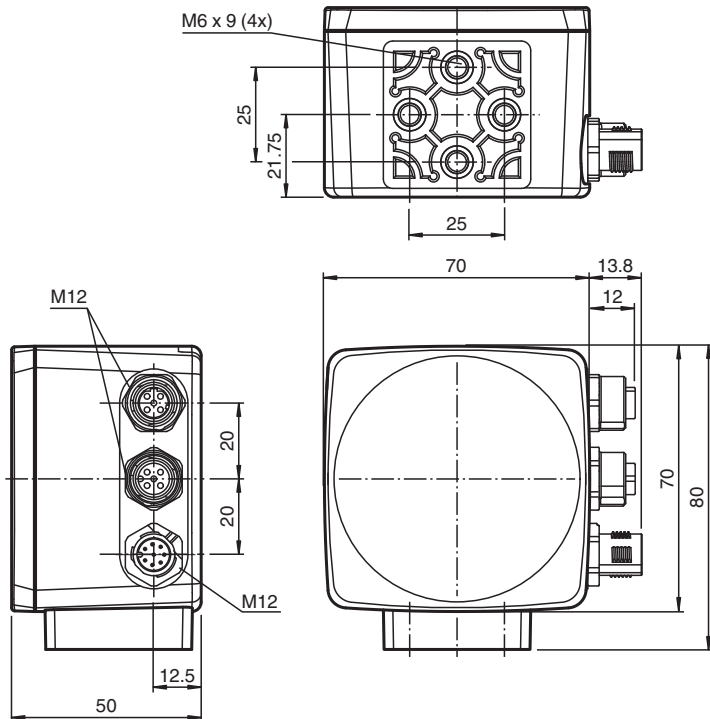
Function

The stationary reading device is an optical identification system for reading up to 26 several code symbology. With its high-performance signal processor, a partial image capture function, and optimized decoding algorithms, the device features extremely high reading speeds. The stationary reading device can be configured easily and quickly using a normal web browser via the standard Ethernet interface. The reading device also features an integrated error image memory.

Typical areas of application are

- Document handling
- Printing machines
- Identification in the packaging and warehouse sector
- PCB identification

Dimensions



Technical Data

General specifications

Release date: 2024-08-05 Date of issue: 2024-08-05 Filename: 253058_eng.pdf

Technical Data

Light type	Integrated LED lightning (white)	
Symbologies	Maxi Code, PDF 417, Data Matrix, QR Code, MicroPDF 417, GoCode, UCC Composite, Aztec Code, Code 39, Code 128, UPC, EAN, JAN, Int 2 of 5, Codabar, Code 93, UCC RSS, POSTNET, PLANET, Japanese Post, Australia Post, Royal Mail, RM4SCC, KIX Code, Codablock, Pharmacode	
Read distance	80 ... 200 mm Depending on code symbology	
Depth of focus	± 60 mm	
Reading field	max. 110 mm x 70 mm	
Modul size	min. 0.2 mm	
Evaluation frequency	up to 30 Hz	
Target velocity	triggered max. 10 m/s	
Data Matrix		
Symbol size	rectangular up to 144 x 144 modules rectangular up to 16 x 48 modules	
Data format	ASCII, C40, Text, X12, Edifact, Base 256 , all according to ISO 646	
Orientation	omnidirectional	
Nominal ratings		
Camera		
Type	CMOS , Global shutter	
Number of pixels	752 x 480 pixels	
Gray scale	256	
Image recording	real-time , Program-controlled or triggered externally	
Functional safety related parameters		
MTTF _d	40.5 a	
Mission Time (T _M)	8 a	
Diagnostic Coverage (DC)	0 %	
Indicators/operating means		
Operation indicator	LED green: Ready for operation	
LED indication	for good/poor reading	
Electrical specifications		
Operating voltage	U _B	24 V DC ± 15% , PELV
No-load supply current	I ₀	max. 250 mA
Power consumption	P ₀	6 W
Interface		
Interface type	serial , RS 232	
Transfer rate	max. 115.2 kBit/s	
Cable length	max. 30 m	
Interface 1		
Interface type	Ethernet	
Protocol	TCP/IP	
Transfer rate	100 MBit/s	
Cable length	max. 30 m	
Input		
Input voltage	to be applied externally 24 V ± 15% PELV	
Number/Type	Trigger, permanent trigger, teach match code	
Input current	approx. 10 mA at 24 V DC	
Switching threshold	low: < 10 V, high: > 15 V	
Cable length	max. 30 m	
Output		
Number/Type	GOOD, BAD, Matchcode	
Switching type	PNP	
Switching voltage	to be applied externally 24 V ± 15 % PELV	
Switching current	100 mA each output	
Cable length	max. 30 m	

Technical Data

Compliance with standards and directives

Standard conformity	
Noise immunity	EN 61326-1
Emitted interference	EN 61000-6-4
Degree of protection	EN 60529
Photobiological safety	EN 62471:2008 exempt group

Approvals and certificates

Approvals	CE
-----------	----

Ambient conditions

Ambient temperature	0 ... 45 °C (32 ... 113 °F)
Storage temperature	-20 ... 60 °C (-4 ... 140 °F)

Mechanical specifications

Degree of protection	IP65
Connection	8-pin, M12x1 connector, standard (supply+IO) , 5-pin, M12x1 socket, standard (RS 232) , 4-pin, M12x1 socket, standard (LAN)
Material	
Housing	PC/ABS
Installation	4 x M6 threading
Mass	approx. 160 g
Dimensions	
Height	70 mm
Width	70 mm
Depth	50 mm

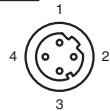
Connection

RS 232



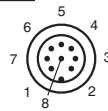
Pin	Signal
1	+UB
2	TX RS232
3	GND
4	RX RS232
5	NC

LAN



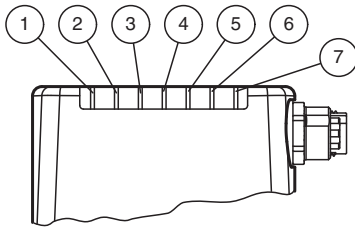
Pin	Signal
1	TX+ Ethernet
2	RX+ Ethernet
3	TX- Ethernet
4	RX- Ethernet

24 V DC+IO



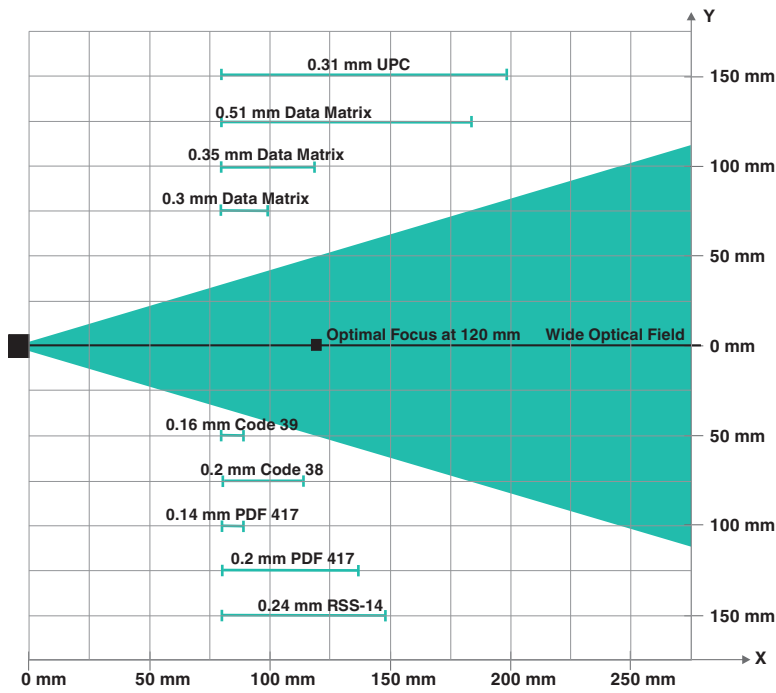
Pin	Signal
1	IN Trigger
2	+UB
3	OUT Good
4	OUT Bad
5	IN 1
6	OUT 1
7	GND
8	OUT Matchcode

Assembly



1	LED DIAG2	yellow
2	LED DIAG1	yellow
3	LED POWER	green
4	LED READY	yellow
5	LED BAD	yellow
6	LED GOOD	yellow
7	LED TRIGGER	yellow

Characteristic Curve



Note: Smallest symbology that can be read is 0,14 mm PDF417