



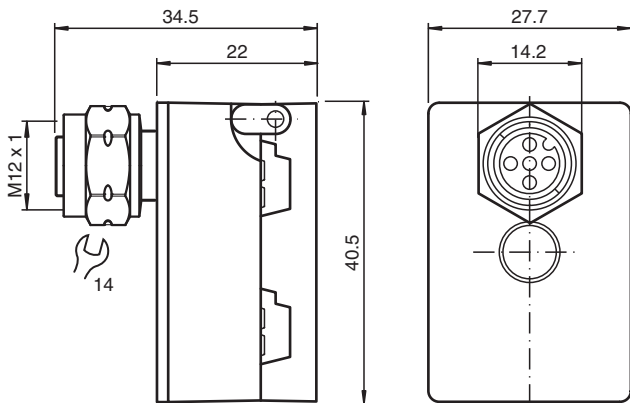
AS-Interface splitter box VAZ-T1-FK-G10-V1-V4A

- One piece housing
- Screw connection stainless steel
- Simple and fast mounting
- Gold-plated and machined contacts
- Immunity to vibration
- Degree of protection IP68 / IP69K

Splitter box G10, AS-Interface to M12



Dimensions



Technical Data

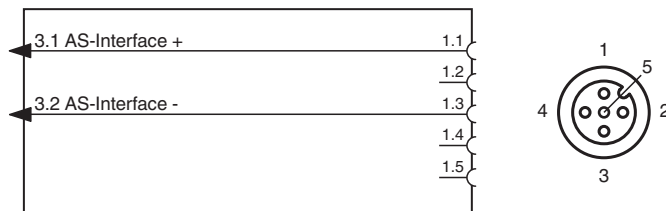
General specifications	
Construction type	Socket, straight Flat cable terminal AS-Interface
Electrical specifications	
Rated operating voltage	$U_e \leq 60$ V PELV
Rated operating current	$I_e \leq 4$ A AS-Interface
Protection class	III
Surge protection	overvoltage category III
Compliance with standards and directives	
Standard conformity	
Degree of protection	EN 60529:2000
Approvals and certificates	
UL approval	cULus Listed, Type 1 enclosure
Application	for use in NFPA 79 applications
Maximum permissible operating voltage	max. 32 V
Maximum permissible ambient temperature	max. 55 °C (max. 131 °F)
UL File Number	E223772
Ambient conditions	
Ambient temperature	-25 ... 75 °C (-13 ... 167 °F)

Release date: 2024-12-12 Date of issue: 2024-12-12 Filename: 253965_eng.pdf

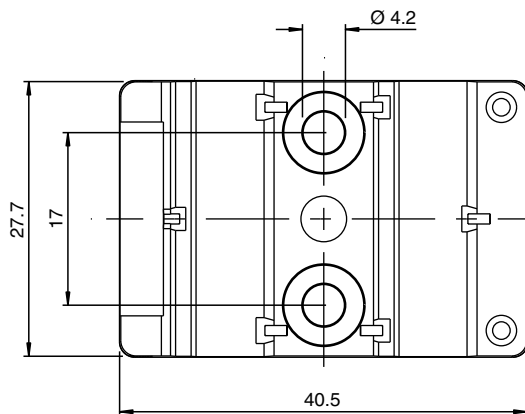
Technical Data

Storage temperature	-25 ... 85 °C (-13 ... 185 °F)
Pollution degree	3
Mechanical specifications	
Degree of protection	IP67 IP67 / IP68 / IP69K with flat cable VAZ-FK-S-*
Connection	Flat cable AS-Interface: cable piercing method Plug connection: M12 x 1 socket (V1)
Material	
Contacts	CuSn / Au
Housing	PBT PC
Slotted nut	Stainless steel 1.4404 / AISI 316L
Mounting screw	Stainless steel 1.4305 / AISI 303
Mass	45 g
Tightening torque, fastening screws	1.65 Nm
Dimensions	
Height	22 mm
Width	27.7 mm
Length	40.5 mm
Note	The unused flat cable connector is closed with a seal.

Connection



Mounting



You may screw the device onto a level mounting surface using two M4 attachment screws. The attachment screws are not included.