



## RFID Transponder

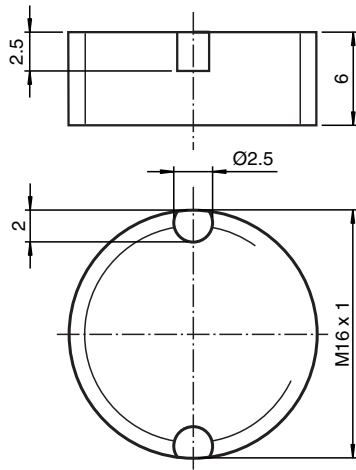
### IQC35-16GK

- Operating frequency 13.56 MHz
- Conforms to ISO 15693
- 64 bit Fixcode
- 1280 bits memory available
- Degree of protection IP68

Data carrier



### Dimensions



### Technical Data

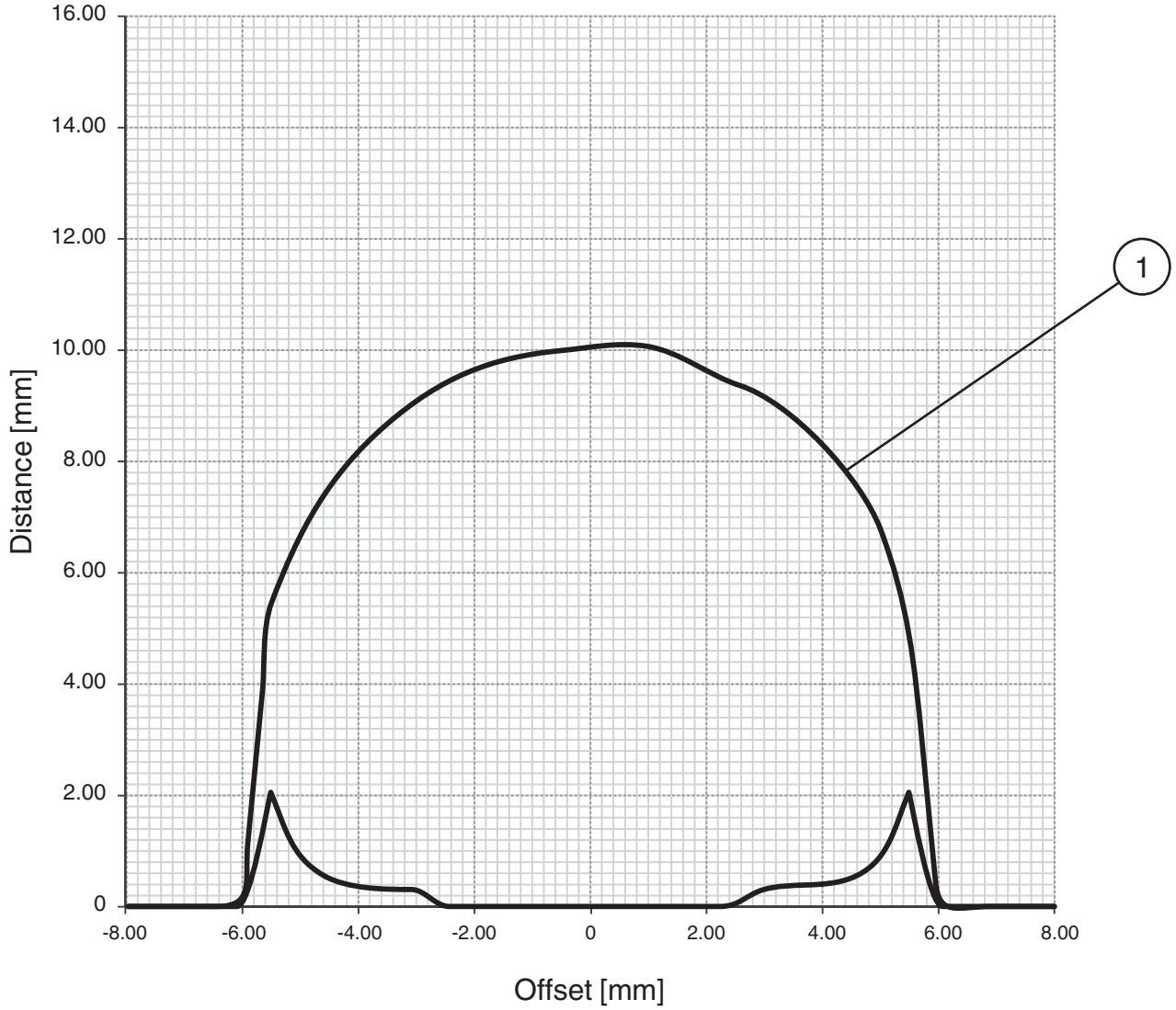
General specifications	
Operating frequency	13.56 MHz
Transfer rate	26 kBit/s
Memory	
Chip Type	ICODE SLI-S (NXP)
EEPROM	1280 Bit
UID	64 Bit
Memory organization	4 bytes/block
Read cycles	unlimited
Write cycles	> 100000
Data retention period	10 years
Directive conformity	
Radio equipment	
Directive 2014/53/EU	EN 300330
RoHS	
Directive 2011/65/EU (RoHS)	IEC/EN 63000
Standard conformity	

Release date: 2022-12-15 Date of issue: 2022-12-15 Filename: 254074\_eng.pdf

## Technical Data

Degree of protection	EN 60529
RFID	ISO/IEC 15693-1 ISO/IEC 15693-2 ISO/IEC 15693-3 ISO/IEC 18000-3
<b>Ambient conditions</b>	
Ambient temperature	-25 ... 85 °C (-13 ... 185 °F)
Storage temperature	-25 ... 85 °C (-13 ... 185 °F)
<b>Mechanical specifications</b>	
Housing height	6 mm
Housing diameter	16 mm
Degree of protection	IP68
Material	
Housing	PBT
Encapsulation compound	Polyurethane (PUR)
<b>Installation</b>	
In metal	yes
On metal	yes
In air	yes
Mass	1.5 g
Construction type	Cylindrical

## Reading range in steel IQC35-16GK



- ① IQH1-18GM-V1    ② IQH1-F61-V1    ③ IQH1-FP-V1  
 ④ IQH1-F15-V1