



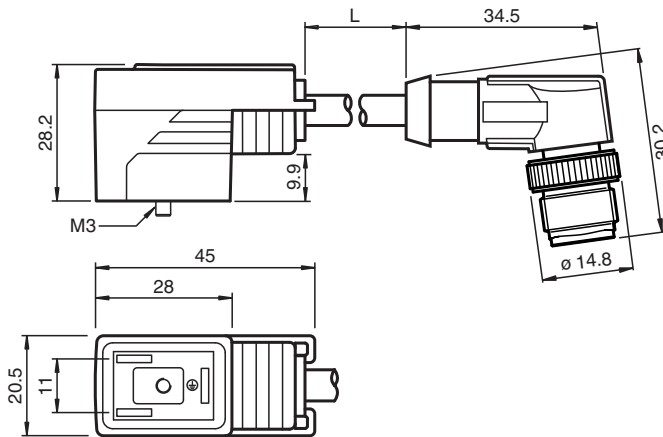
Valve Connector Cordset VMBI-2+P/Z2-0,6M-PVC-V1-W

- Z diode as a protective circuit
- Built-in LED, as operating and function indicator
- Moulded seal
- Flame resistant cable
- Oil resistant
- Immunity to vibration

Valve connector Form B (Ind), Z-diode LED 2-pin+PE to M12 plug angled A-coded 3-pin, PVC cable black



Dimensions



Technical Data

General specifications

| | |
|-----------------------------------|------------------------------------|
| Connector 1 | |
| Connection | Valve connector industrial version |
| Construction type | form B (Ind) |
| Style | angled |
| Locking | screw connection |
| Number of pins | 2 + PE |
| Connector 2 | |
| Connection | plug |
| Construction type | M12 |
| Style | angled |
| Locking | screw connection |
| Number of pins | 3 |
| Coding | A-coded |
| Indicators/operating means | |
| LED yellow | Operating display |
| Electrical specifications | |

Release date: 2025-02-04 Date of issue: 2025-02-04 Filename: 254105_eng.pdf

Technical Data

| | | |
|----------------------------------|----------------|--|
| Operating voltage | U _B | 24 V AC/DC |
| Operating current | I _B | max. 4 A |
| Suppression | | Zener diode |
| Conformity | | |
| Degree of protection | | EN 60529 |
| Plug connection | | Valve connector : on the basis of DIN EN 175301-803 connector M12 x 1 : IEC 61076-2-101 |
| Flammability | | DIN VDE 0482 , DIN EN 50265-2-1 , UL 94 |
| Oil resistance | | DIN EN 60811-2-1 |
| Ambient conditions | | |
| Ambient temperature | | |
| Connector 1 | | -20 ... 85 °C (-4 ... 185 °F) |
| Connector 2 | | -25 ... 90 °C (-13 ... 194 °F) |
| Cable, fixed installation | | -40 ... 80 °C (-40 ... 176 °F) |
| Cable, flexing | | -5 ... 80 °C (23 ... 176 °F) |
| Pollution degree | | 3 |
| Mechanical specifications | | |
| Connector 1 | | |
| Tightening torque | | 0.6 Nm |
| Tool installation | | screw M3 x 29 |
| Mating cycles | | min. 100 |
| Connector 2 | | |
| Tightening torque | | 0.6 Nm |
| Tool installation | | straight knurling |
| Mating cycles | | min. 100 |
| Degree of protection | | IP65 / IP67 |
| Cable | | according to IEC/EN 60228 (DIN VDE 0295) class 5 |
| Sheath diameter | | 4.8 mm |
| Bending radius | | > 10 x cable diameter, movable installation > 5 x cable diameter, fixed installation |
| Sheath color | | black (similar to RAL 9005) |
| Number of cores | | 3 |
| Core cross section | | 0.5 mm ² |
| Cores color | | Core 1-4: black Core 2-3: black Core PE-5: green/yellow |
| Core construction | | 16 x 0.2 mm Ø |
| Length | L | 0.6 m |
| Cable code | | Li YY 3 x 0,50 |
| Mass | | 47 g |
| Material | | |
| Connector 1 | | |
| Body | | TPU, black |
| Seal | | TPU , molded |
| Contact surface | | Sn |
| Flammability | | V-0 |
| Connector 2 | | |
| Screw connection | | Zinc diecast, nickel-plated |
| Body | | TPU, black |
| Contact surface | | Ni/Au |
| Flammability | | HB |
| Cable | | |
| Sheathing | | PVC |
| Cores | | bare copper (Cu) |

Technical Data

| | |
|-----------------|------|
| Core insulation | PVC |
| Oil resistance | good |
| Flammability | V-0 |

Connection

