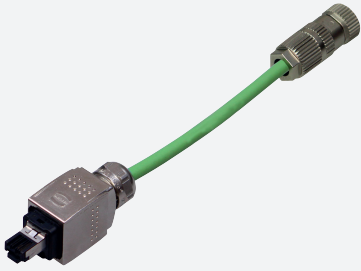


Connection cable

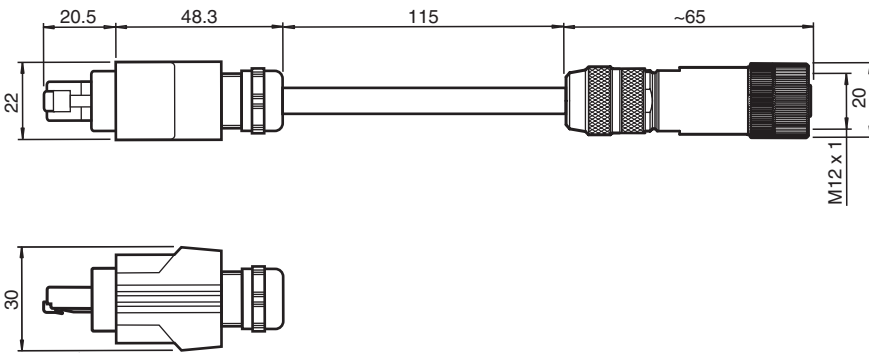
ICZ-AIDA2-V45-0,2M-PUR-V1D-G



Connecting cable RJ-45 to M12 D-coded



Dimensions



Technical Data

General specifications		
Number of pins		4
Electrical specifications		
Operating voltage	U_B	max. 50 V
Rated current	I_r	1.75 A
Ambient conditions		
Ambient temperature		-25 ... 70 °C (-13 ... 158 °F)
Mechanical specifications		
Degree of protection		IP65/IP67
Connection		8-pin RJ-45, D-coded to 4-pin M12 socket
Material		
Contacts		CuZn
Contact surface		Au
Housing		Zinc die-casting, nickel-plated
Body		Zinc die-casting, nickel-plated
Cable		

Release date: 2020-03-24 Date of issue: 2020-03-27 Filename: 255000_eng.pdf

Technical Data

Sheath diameter	5.8 mm
Color	green
Cores	4 x 26 AWG

Connection

