



# Fieldbus Power Supply

## FieldConnex® Fieldbus

### HD2-FBPS-1.17.500

- Output: 15 ... 17 V/500 mA
- Voltage limitation for FISCO ic, Entity ic, also FNICO and Ex nL
- With galvanic isolation
- Installation in Zone 2/Class I, Div. 2
- For FOUNDATION Fieldbus H1 and PROFIBUS PA
- High efficiency, low heat dissipation for high packing density
- Hot swappable in redundant configuration
- Module exchange without tools during operation

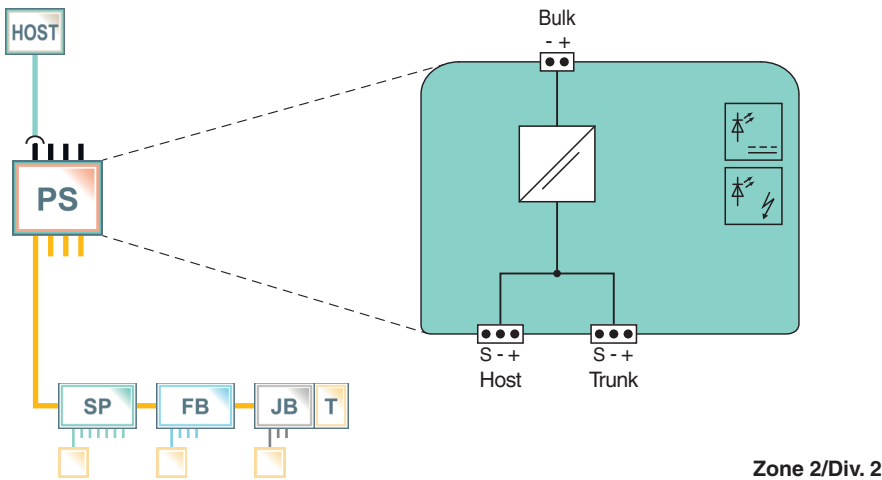
Fieldbus power supply, module for fieldbus power hub



### Function

This Power Supply Module is a system component for the FieldConnex® Power Hub and can be plugged into the motherboard. It adapts current and voltage for the supply of fieldbus segments and field devices. The combination of this power supply, selected motherboards and R2 Segment Protectors provide outputs certified for explosion protection Ex ic according to FISCO or Entity. Reliability of communication is enhanced through galvanic isolation between segment and bulk power supply. Two LEDs indicate power and status. In redundant configuration two modules are connected in parallel via simple circuits ensuring seamless operation.

### Connection



### Technical Data

#### General specifications

Design / Mounting	Motherboard based
Installation in hazardous area	Zone 2 / Div. 2

#### Supply

Rated voltage	$U_r$	19.2 ... 35 V DC
Rated current	$I_r$	520 ... 290 mA
Power dissipation		typ. 1.3 W

#### Fieldbus connection

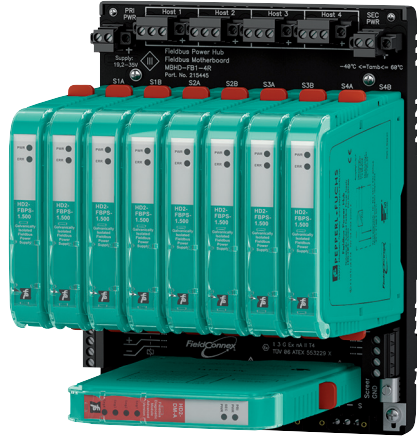
Rated voltage	$U_N$	15 ... 17 V
Rated current	$I_N$	500 ... 10 mA

Release date: 2024-09-20 Date of issue: 2024-09-20 Filename: 255753\_eng.pdf

## Technical Data

Short-circuit current		550 mA
<b>Indicators/operating means</b>		
LED ERR		red flashing: short-circuit or undervoltage at output
LED PWR		green if $U_{out} > 15 \text{ V}$
<b>Galvanic isolation</b>		
Fieldbus segment/Supply		functional insulation acc. to IEC 62103, rated insulation voltage 250 V AC
<b>Directive conformity</b>		
Electromagnetic compatibility		
Directive 2014/30/EU		EN 61326-1:2013
<b>Standard conformity</b>		
Electromagnetic compatibility		
		NE 21:2011
Degree of protection		IEC 60529
Fieldbus standard		IEC 61158-2
Shock resistance		EN 60068-2-27
Vibration resistance		EN 60068-2-6
<b>Ambient conditions</b>		
Ambient temperature		-40 ... 70 °C (-40 ... 158 °F)
Storage temperature		-40 ... 85 °C (-40 ... 185 °F)
Relative humidity		< 95 % non-condensing
Shock resistance		15 g 11 ms
Vibration resistance		1 g , 10 ... 150 Hz
Pollution degree		max. 2, according to IEC 60664
Corrosion resistance		acc. to ISA-S71.04-1985, severity level G3
<b>Mechanical specifications</b>		
Core cross section		motherboard specific
Housing material		Polycarbonate
Degree of protection		IP20
Mass		approx. 150 g
Dimensions		
Height		106 mm
Width		18 mm
Depth		128 mm
Mounting		motherboard mounting
<b>Data for application in connection with hazardous areas</b>		
Outputs		
Voltage	$U_o$	17.5 V
Certificate		TÜV 04 ATEX 2500 X
Marking		Ⓔ II 3 G Ex nA IIC T4 Gc
Directive conformity		
Directive 2014/34/EU		EN 60079-0:2012 , EN 60079-11:2012 , EN 60079-15:2010
<b>International approvals</b>		
FM approval		
FM certificate		FM 19 US 0015 X and FM 19 CA 0011 X
FM marking		AEx/Ex ec IIC T4
IECEx approval		
IECEx certificate		IECEx TUN 13.0038X
IECEx marking		Ex nA IIC T4 Gc
<b>Certificates and approvals</b>		
Marine approval		pending
<b>General information</b>		
Supplementary information		Observe the certificates, declarations of conformity, instruction manuals, and manuals where applicable. For information see <a href="http://www.pepperl-fuchs.com">www.pepperl-fuchs.com</a> .

Assembly



Release date: 2024-09-20 Date of issue: 2024-09-20 Filename: 255753\_eng.pdf