

# Inductive sensor

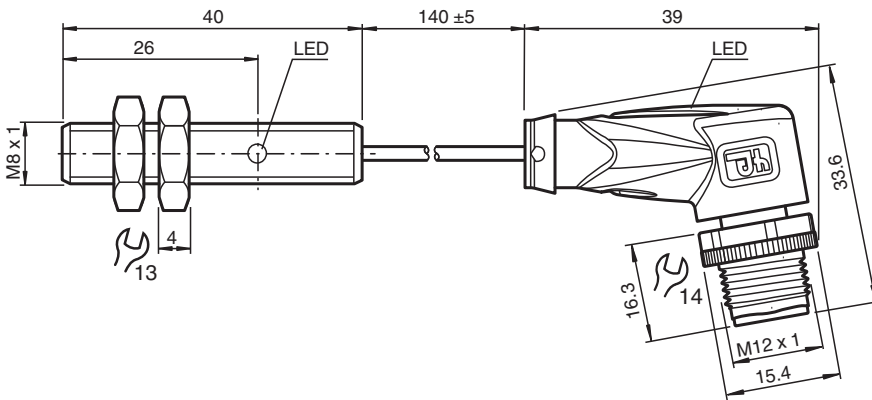
## NJ1,5-8GM40-E2-0,14M-V1



- 1.5 mm flush
- Fixed cable with quick disconnect plug
- LEDs integrated into the plug to indicate operating status and function



### Dimensions



### Technical Data

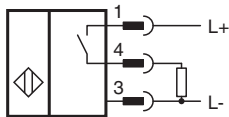
General specifications		
Switching function		Normally open (NO)
Output type		PNP
Rated operating distance	$s_n$	1.5 mm
Installation		flush
Output polarity		DC
Assured operating distance	$s_a$	0 ... 1.215 mm
Reduction factor $r_{Al}$		0.25
Reduction factor $r_{Cu}$		0.2
Reduction factor $r_{304}$		0.7
Output type		3-wire
Nominal ratings		
Operating voltage	$U_B$	10 ... 30 V
Switching frequency	$f$	0 ... 500 Hz
Hysteresis	$H$	typ. 5%
Reverse polarity protection		reverse polarity protected
Short-circuit protection		pulsing

Release date: 2025-02-24 Date of issue: 2025-02-24 Filename: 255897\_eng.pdf

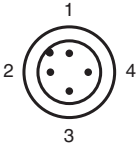
## Technical Data

Voltage drop	$U_d$	$\leq 3 \text{ V}$
Operating current	$I_L$	0 ... 100 mA
Off-state current	$I_r$	$\leq 10 \mu\text{A}$
No-load supply current	$I_0$	$\leq 20 \text{ mA}$
Switching state indicator		LED, yellow
<b>Functional safety related parameters</b>		
MTTF <sub>d</sub>		2190 a
Mission Time (T <sub>M</sub> )		20 a
Diagnostic Coverage (DC)		0 %
<b>Compliance with standards and directives</b>		
Standard conformity		
Standards		EN IEC 60947-5-2
<b>Ambient conditions</b>		
Ambient temperature		-25 ... 70 °C (-13 ... 158 °F)
<b>Mechanical specifications</b>		
Connection type		
		fixed cable with plug
Housing material		
		Stainless steel 1.4305 / AISI 303
Sensing face		
		LCP
Degree of protection		
		IP67
Connector		
Threading		M12 x 1
Tightening torque		$\leq 0.6 \text{ Nm}$
Number of pins		3
Cable		
Cable diameter		3.5 mm $\pm$ 0.1 mm
Bending radius		> 10 x cable diameter
Material		
		PUR
Color		
		grey
Number of cores		
		3
Core cross section		
		0.14 mm <sup>2</sup>
Length	L	0.14 m
Mass		30 g
Dimensions		
Length		40 mm
Diameter		8 mm

## Connection



## Connection Assignment



Release date: 2025-02-24 Date of issue: 2025-02-24 Filename: 255697\_eng.pdf