

RFID read/write device

IUH-F192-V1-FR2



- Flexible UHF read/write head with long range for use worldwide
- Ready-made PLC function blocks designed for quick and easy system integration
- Compact and robust housing for harsh industrial environments
- Switchable antenna polarization guarantees reliable tag detection and enhances process flow
- For connection to IDENTControl evaluation unit
- Multi-tag reading increases productivity

UHF RFID read/write device for IDENTControl



Function

The IUH-F192-V1-FR2 read/write head operates in the UHF frequency range and is optimized for use in industrial applications involving greater distances. The device reads and writes passive tags according to EPC Generation 2 (ISO/IEC 18000-63). The read/write head can be operated in different countries, e.g. China. The read/write head complies with the respective radio regulations.

Wide range of options supported for filtering data. The read/write head is connected to the IDENTControl interface using an M12 connector. The user can monitor the status of the read/write head using the integrated LEDs.

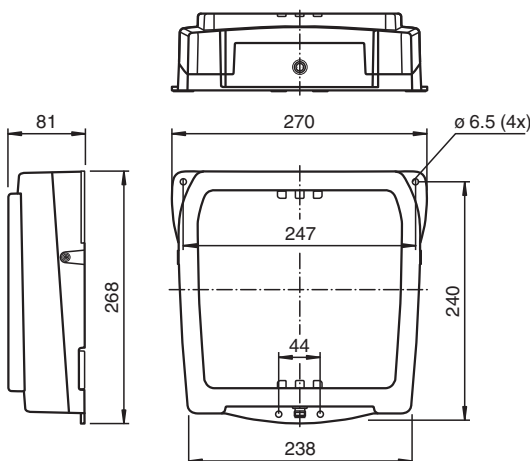
The read/write head has a typical detection range of approx. 3 meters; this range is determined by the tag used and can be changed by adjusting the transmission power. Other influencing factors are the application specific setup and surrounding materials, particularly metal. The read and write distances measured under ideal conditions can be found in a separate document. For the actual read and write distances under real conditions, the combination of read/write head and tag must be tested in the intended application.

This product is a wireless device and may be operated only in the country for which a transmission license exists. Information regarding transmission licenses can be found on the datasheet for the product. If a product is released to a customer in a country for which there is no transmission license, the product may be operated only in the country for which a transmission license exists.

If a product does not correspond to the legal requirements in force in the EU but is released to a purchaser within the EU, the product is intended for use solely in the destination country of the end customer outside of the EU for which a transmission license exists. The product may therefore under no circumstances be used directly by the purchaser or released to third parties for the purpose of distribution, application or use on the market within the EU as part of a commercial activity.

In the event of an infringement, the purchaser is obliged to indemnify the supplier against any resulting damages, costs, penalty payments and other expenses.

Dimensions



Technical Data

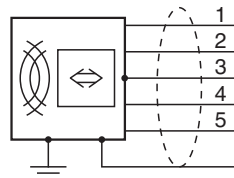
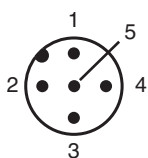
General specifications

Release date: 2024-09-13 Date of issue: 2024-09-13 Filename: 256081_eng.pdf

Technical Data

Operating frequency	920.0 ... 926.0 MHz: Australia 915.0 ... 928.0 MHz: Brazil 920.5 ... 924.5 MHz: China 919.0 ... 923.0 MHz: Malaysia Transmission licenses for other countries on request	
Emitted power	10 ... 4000 mW EIRP = 6 ... 2400 mW ERP adjustable	
UL File Number	E468231	
MTBF	64 a (Operation at +40 °C)	
Indicators/operating means		
LED green	Power on	
LED yellow	Read/write operation successful	
LED blue	Transmission mode	
Electrical specifications		
Power consumption	P_0	≤ 10 W
Supply	from the IDENTControl	
Standard conformity		
Degree of protection	EN 60529	
RFID	ISO/IEC 18000-63	
Approvals and certificates		
ACMA approval	CERT-3989A	
ANATEL approval	02940-16-06150	
SRRC approval	CMIIT ID 2021DJ4233	
SIRIM approval	RALI/25D/0918/S(18-3937)	
Ambient conditions		
Ambient temperature	-25 ... 70 °C (-13 ... 158 °F)	
Storage temperature	-40 ... 85 °C (-40 ... 185 °F)	
Mechanical specifications		
Degree of protection	IP67	
Connection	connector M12 x 1	
Material		
Housing	PA 6	
Base	diecast aluminum	
Mass	approx. 3000 g	
Dimensions		
Height	81 mm	
Width	270 mm	
Length	268 mm	

Connection



+
 A
 -
 B
 do not connect
 Shield