

Cover for DIN Mounting Rail

UPR-COVER



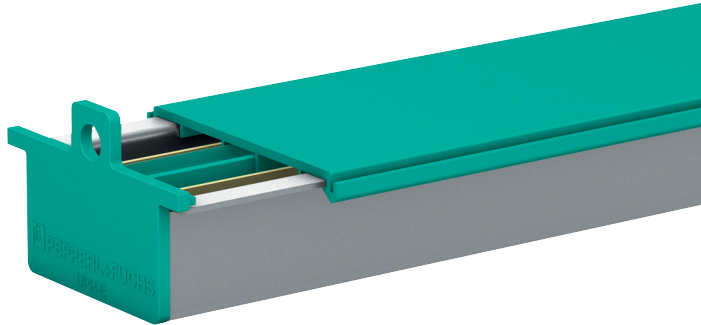
- Cover for DIN mounting rail
- Suitable for 35 mm DIN mounting rail UPR-MR
- Suitable for Power Rail UPR-**-*
- Suitable for profile rail K-DUCT
- Standard length 0.8 m (2.6 ft), simple to customize to application space
- Packaging unit: 2 pieces

Cover for 35 mm DIN mounting rail

Function

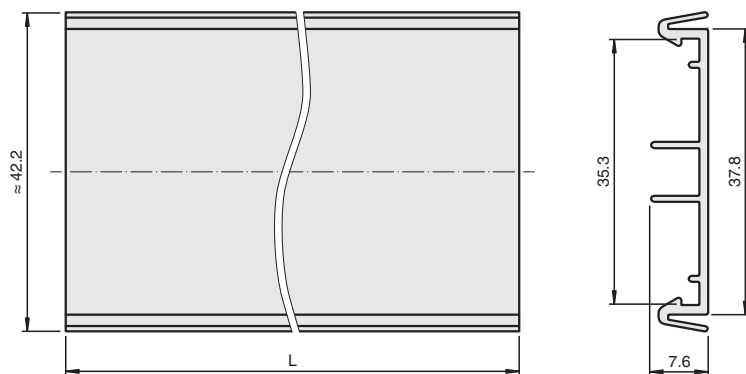
The cover mounts onto the 35 mm DIN mounting rail. Thereby the DIN mounting rail will be protected from pollution. The contact with electrically conductive parts on DIN mounting rail will be prevented.

Assembly



Release date: 2023-05-22 Date of issue: 2023-05-22 Filename: 258160_eng.pdf

Dimensions



Technical Data

Ambient conditions	
Ambient temperature	-40 ... 70 °C (-40 ... 158 °F)
Mechanical specifications	
Material	Polycarbonate
Mass	approx. 100 g
Dimensions	7.6 x 42.2 x 800 mm (0.3 x 1.66 x 31.5 inch)
Mounting	on 35 mm DIN mounting rail acc. to EN 60715:2001
General information	
Packing unit	2 item(s)