



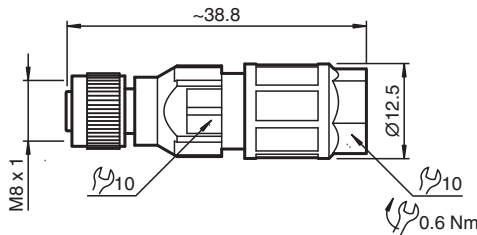
Female connector, field-attachable V3-GM-Q4

- Insulation displacement connection
- Metal locking
- Knurled nut suitable for tool assembly
- cURus approval

Female connector M8 straight A-coded 3-pin, for cable diameter 2,5 - 5 mm, field-attachable, insulation displacement connection



Dimensions



Technical Data

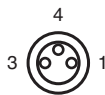
General specifications		
Connector 1		
Connection		socket
Construction type		M8
Style		straight
Locking		screw connection
Number of pins		3
Coding		A-coded
Electrical specifications		
Operating voltage	U_B	max. 48 V AC / 60 V DC
Operating current	I_B	max. 4 A
Volume resistance		< 5 mΩ
Insulation resistance		min. 100 MΩ
Conformity		
Degree of protection		EN 60529
Plug connection		connector M8 x 1 : IEC 61076-2-104

Release date: 2023-06-01 Date of issue: 2023-06-01 Filename: 258191_eng.pdf

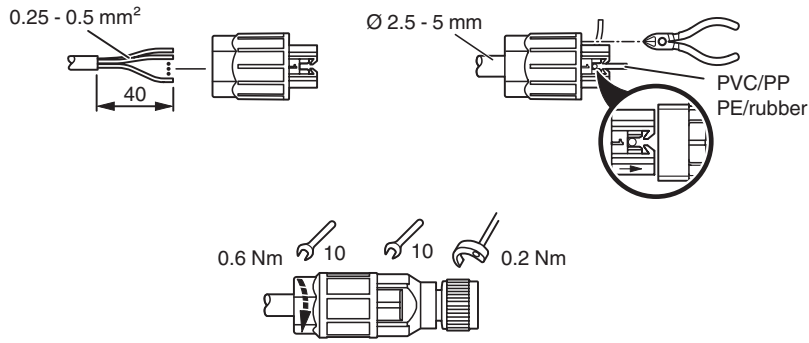
Technical Data

Approvals and certificates		
UL approval		E191152
Maximum permissible operating voltage		max. 29 V
Ambient conditions		
Ambient temperature		-25 ... 80 °C (-13 ... 176 °F)
Pollution degree		3
Mechanical specifications		
Plug connector		
Tightening torque		0.2 Nm
Tool installation		straight knurling
Mating cycles		min. 100
Degree of protection		IP65/IP67
Connection		Insulation displacement connection for 0.25 ... 0.5 mm ² / AWG 24 ... AWG 20
Cable		
Sheath diameter		2.5 ... 5 mm
Cores		Cross-section: 0.25 ... 0.5 mm ²
Mass		6.6 g
Mounting		max. tightening torque on the coupling nut: ≤ 0.6 Nm
Material		
Plug connector		
Screw connection		Zinc diecast, nickel-plated
Body		PA 66, black
Seal		NBR
Contact surface		Ni/Au
Flammability		HB
Cable		
Core insulation		PVC/PE/PP



Connection Assignment



Connection



Accessories

	MH V3-SCREWDRIVER	Torque screwdriver (0.4 Nm)
	MH V3-BIT M8	plug-in cap for M8