



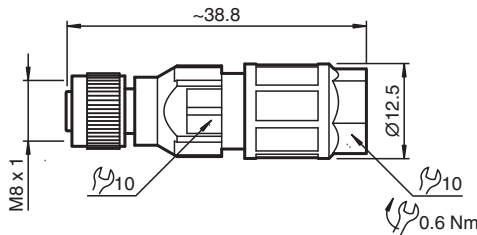
Female connector, field-attachable V31-GM-Q4

- Insulation displacement connection
- Metal locking
- Knurled nut suitable for tool assembly
- cURus approval

Female connector M8 straight A-coded 4-pin, for cable diameter 2,5 - 5 mm, field-attachable, insulation displacement connection



Dimensions



Technical Data

General specifications			
Connector 1			
Connection		socket	
Construction type		M8	
Style		straight	
Locking		screw connection	
Number of pins		4	
Coding		A-coded	
Electrical specifications			
Operating voltage	U_B	max. 30 V AC/DC	
Operating current	I_B	max. 4 A	
Volume resistance		< 5 m Ω	
Insulation resistance		min. 100 M Ω	
Conformity			
Degree of protection		EN 60529	
Plug connection		connector M8 x 1 : IEC 61076-2-104	

Release date: 2023-06-01 Date of issue: 2023-06-01 Filename: 258192_eng.pdf

Technical Data

Approvals and certificates

UL approval	E191152
Maximum permissible operating voltage	max. 29 V

Ambient conditions

Ambient temperature	-25 ... 80 °C (-13 ... 176 °F)
Pollution degree	3

Mechanical specifications

Plug connector

Tightening torque	0.2 Nm
Tool installation	straight knurling
Mating cycles	min. 100
Degree of protection	IP65/IP67
Connection	Insulation displacement connection for 0.25 ... 0.5 mm ² / AWG 24 ... AWG 20

Cable

Sheath diameter	2.5 ... 5 mm
Cores	Cross-section: 0.25 ... 0.5 mm ²

Mass	6.5 g
Mounting	max. tightening torque on the coupling nut: ≤ 0.6 Nm

Material

Plug connector

Screw connection	Zinc diecast, nickel-plated
Body	PA 66, black
Seal	NBR
Contact surface	Ni/Au
Flammability	HB

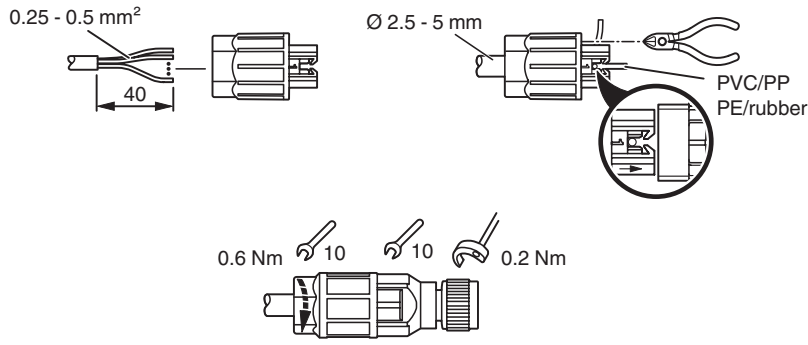
Cable

Core insulation	PVC/PE/PP
-----------------	-----------

Connection Assignment



Connection



Accessories

	<p>MH V3-SCREWDRIVER</p>	<p>Torque screwdriver (0.4 Nm)</p>
	<p>MH V3-BIT M8</p>	<p>plug-in cap for M8</p>

Release date: 2023-06-01 Date of issue: 2023-06-01 Filename: 258192_eng.pdf