



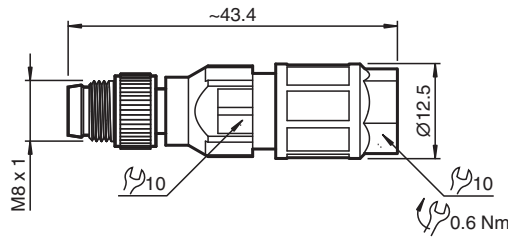
Male connector, field-attachable V3S-GM-Q4

- Insulation displacement connection
- Metal locking
- Knurled nut suitable for tool assembly
- cURus approval

Male connector M8 straight A-coded 3-pin, for cable diameter 2,5 - 5 mm, field-attachable, insulation displacement connection



Dimensions



Technical Data

General specifications

Connector 1		
Connection		plug
Construction type		M8
Style		straight
Locking		screw connection
Number of pins		3
Coding		A-coded

Electrical specifications

Operating voltage	U_B	max. 48 V AC / 60 V DC
Operating current	I_B	max. 4 A
Volume resistance		< 5 m Ω
Insulation resistance		min. 100 M Ω

Conformity

Degree of protection		EN 60529
Plug connection		connector M8 x 1 : IEC 61076-2-104

Release date: 2023-06-01 Date of issue: 2023-06-01 Filename: 258193_eng.pdf

Technical Data

Approvals and certificates

UL approval	E191152
Maximum permissible operating voltage	max. 29 V

Ambient conditions

Ambient temperature	-25 ... 80 °C (-13 ... 176 °F)
Pollution degree	3

Mechanical specifications

Plug connector

Tightening torque	0.2 Nm
Tool installation	straight knurling
Mating cycles	min. 100
Degree of protection	IP65/IP67
Connection	Insulation displacement connection for 0.25 ... 0.5 mm ² / AWG 24 ... AWG 20

Cable

Sheath diameter	2.5 ... 5 mm
Cores	Cross-section: 0.25 ... 0.5 mm ²

Mass	8.2 g
Mounting	max. tightening torque on the coupling nut: ≤ 0.6 Nm

Material

Plug connector

Screw connection	Zinc diecast, nickel-plated
Body	PA 66, black
Seal	NBR
Contact surface	Ni/Au
Flammability	HB

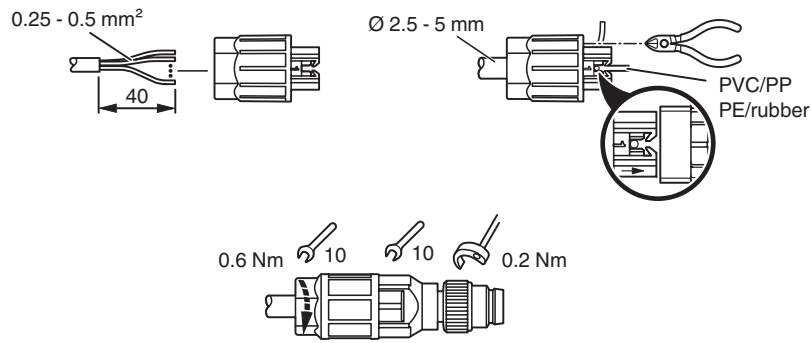
Cable

Core insulation	PVC/PE/PP
-----------------	-----------



Connection Assignment



Connection



Accessories

	MH V3-SCREWDRIVER	Torque screwdriver (0.4 Nm)
	MH V3-BIT M8	plug-in cap for M8