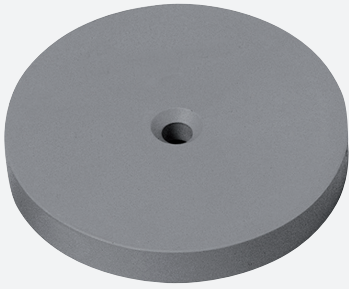


Flat housing

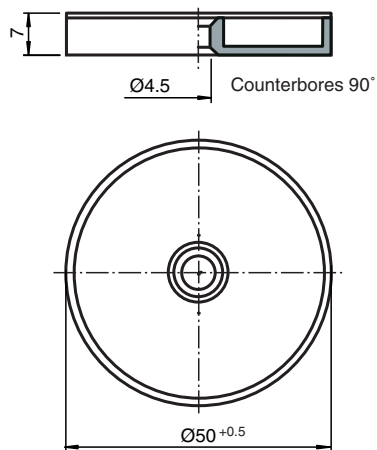
IPZ-MH50 100pcs



- Suitable as distance retainer for code or data carrier IDENT-I System P und System V for mounting on metal
- Packaging unit: 100 pieces

Flat housing

Dimensions



Technical Data

Ambient conditions

Storage temperature -40 ... 85 °C (-40 ... 185 °F)

Mechanical specifications

Material

Housing

PBT