



## Splitter boxes

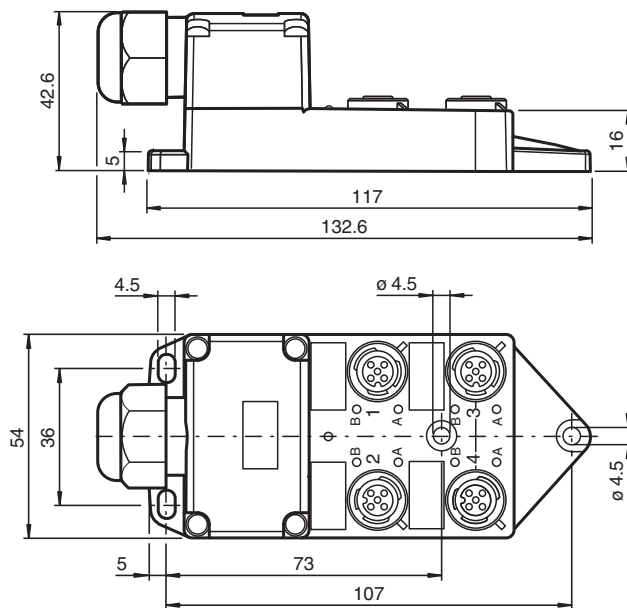
### V1-4/8A-E2

- Fast, simple installation with cage clamp terminals
- Twin communication of the plug-in stations
- LED indicator for module supply and I/O status

Splitter box quadruple, twin configuration, with cage-clamp terminals



## Dimensions



## Technical Data

### General specifications

Number of pins	5
UL File Number	E191152

### Indicators/operating means

LED green	supply voltage each module
LED yellow	I/O status indication

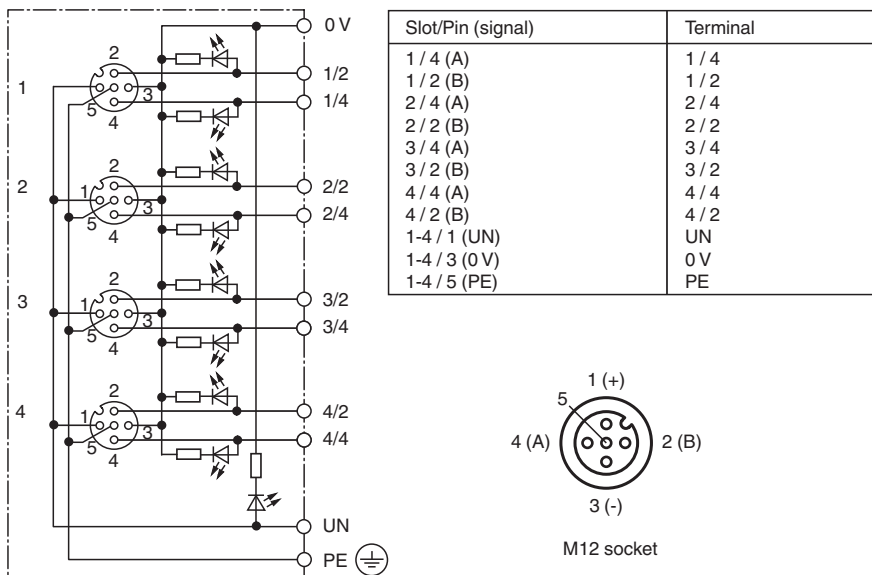
### Electrical specifications

Operating voltage	$U_B$	max. 24 V DC -20 % / +25 %
Operating current	$I_B$	≤ 5 mA per channel indication element

## Technical Data

Current loading capacity	≤ 2 A per channel, ≤ 4 A per plug-in station, ≤ 8 A total current per distributor
<b>Output</b>	
Number/Type	4 , twin configuration
<b>Conformity</b>	
Degree of protection	EN 60529
Flammability	UL 94
<b>Ambient conditions</b>	
Ambient temperature	-25 ... 80 °C (-13 ... 176 °F)
<b>Mechanical specifications</b>	
Connection type	4 x socket M12 x 1 5-pin 1 x terminal compartment
Degree of protection	IP65/IP67
Connection	Signal and energy: Cage tension spring terminals flexible: 0.2 mm <sup>2</sup> ... 1 mm <sup>2</sup> rigid: 0.2 mm <sup>2</sup> ... 1.5 mm <sup>2</sup> Sensor/actuator: 5-pin, M12 x 1 socket
<b>Material</b>	
Contacts	Cu alloy
Contact surface	Au
Housing	PBT
Threaded bushings	PBT
Seal	O-ring: NBR
<b>Cable</b>	
Sheath diameter	7 mm ... 12 mm
Flammability	V-0

## Connection



## Accessories

	<b>V15S-Y-V15/V15</b>	Y-Splitter M12 plug to 2x M12 socket 5-pin A-coded
	<b>MH V1-BIT M12</b>	plug-in cap M12

Release date: 2023-04-13 Date of issue: 2023-04-13 Filename: 259973\_eng.pdf

**Accessories****VAZ-V1-B3L**

Blind plug for M12 sockets