



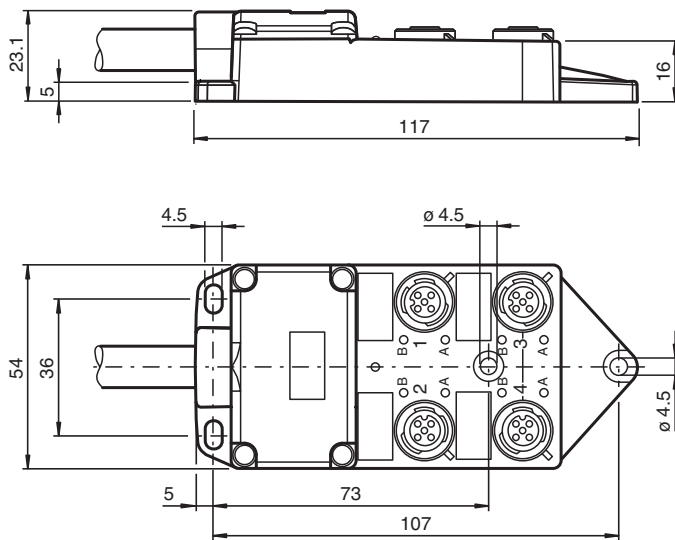
## Splitter boxes V1-4A-E2-10M-PUR

- LED indicator for module supply and I/O status
- UL Recognized Component
- Suitable for drag chains and abrasion resistant

Quadruple splitter box with M12 connector with basic cable



### Dimensions



### Technical Data

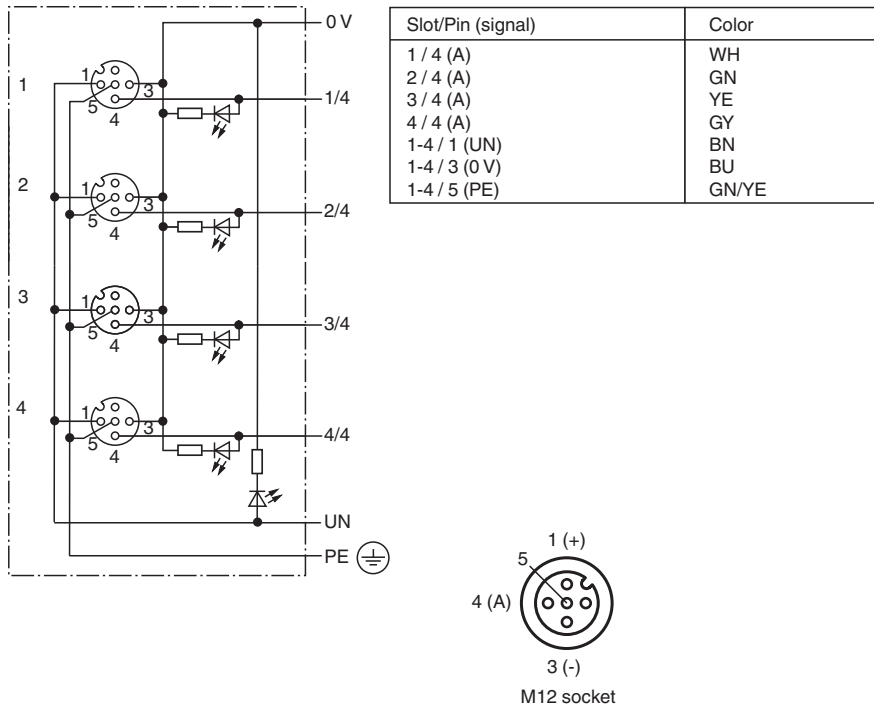
General specifications		
Number of pins		4
UL File Number		E191152
Indicators/operating means		
LED green		supply voltage each module
LED yellow		I/O status indication
Electrical specifications		
Operating voltage	$U_B$	24 V DC, max. 30 V DC
Operating current	$I_B$	$\leq 5$ mA per channel indication element

Release date: 2022-03-28 Date of issue: 2022-03-28 Filename: 259976\_eng.pdf

## Technical Data

Current loading capacity		≤ 2 A per channel, ≤ 4 A per plug-in station, ≤ 12 A total current per separator
<b>Output</b>		
Number/Type		4
<b>Compliance with standards and directives</b>		
Standard conformity		
Degree of protection		EN 60529
Flammability		DIN EN 50265-2-1
<b>Ambient conditions</b>		
Ambient temperature		housing: -25 ... 80 °C (-13 ... 176 °F) cable, flexing: -5 ... 80 °C (23 ... 176 °F) cable, fixed: -40 ... 90 °C (-40 ... 194 °F)
<b>Mechanical specifications</b>		
Connection type		4 x socket M12 x 1 4-pin Master cable
Degree of protection		IP65/IP67
Material		
Contacts		Cu alloy
Contact surface		Au
Housing		PBT
Threaded bushings		PBT
Cable		PUR
Seal		O-ring: NBR
Core insulation		PVC
Cable		
Sheath diameter		Ø 6.9 mm
Bending radius		> 10 x cable diameter, moving > 7.5 x cable diameter, fixed
Color		black
Coors		Signal line (4): 4 x 0.34 mm <sup>2</sup> (AWG 22) Supply line (1, 3), PE (5): 3 x 0.75 mm <sup>2</sup> (AWG 18)
Conductor construction		19 x 0.15 mm Ø and 42 x 0.15 mm Ø
Length	L	10 m
Drag chain suitability		
Drag chain cycles		min. 1500000
Motion velocity		max. 2 m/s
Traverse distance		2 m
Mass		approx. 920 g

Connection



Accessories

	<b>MH 05-SACB-4</b>	Mounting aid for splitter boxes for DIN rail
	<b>MH V1-BIT M12</b>	plug-in cap M12
	<b>MH V1-SCREWDRIVER</b>	torque screwdriver (0.6 Nm)
	<b>VAZ-V1-B3L</b>	Blind plug for M12 sockets