



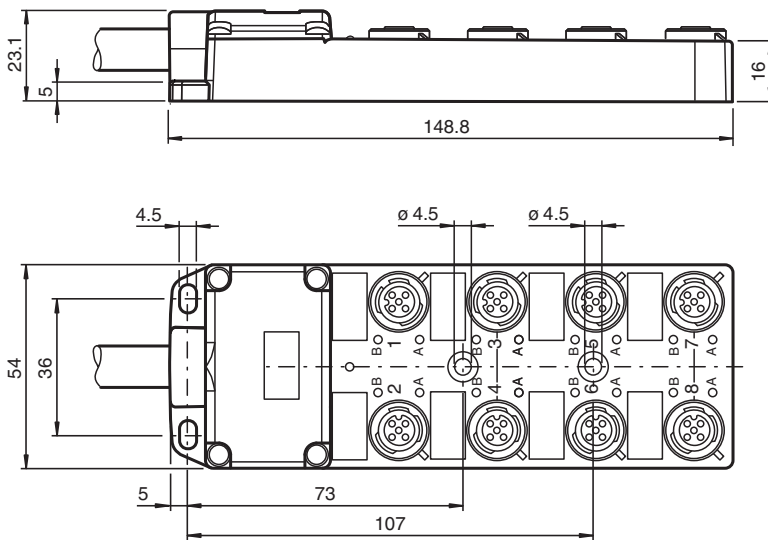
Splitter boxes V1-8/16A-E2-5M-PUR

- Twin communication of the plug-in stations
- UL Recognized Component
- Suitable for drag chains and abrasion resistant

Splitter box octuple, twin configuration, with trunk cable



Dimensions



Technical Data

General specifications

Number of pins	5
UL File Number	E191152

Indicators/operating means

LED green	supply voltage each module
LED yellow	I/O status indication

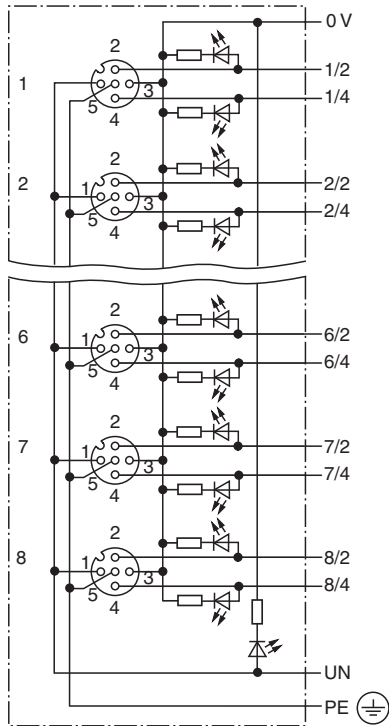
Electrical specifications

Operating voltage	U_B	max. 24 V DC -20 % / +25 %
Operating current	I_B	≤ 5 mA per channel indication element

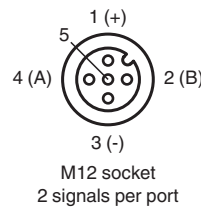
Technical Data

Current loading capacity		≤ 2 A per channel, ≤ 4 A per plug-in station, ≤ 12 A total current per separator
Output		
Number/Type		8 , twin configuration
Conformity		
Degree of protection		EN 60529
Flammability		DIN EN 50265-2-1
Ambient conditions		
Ambient temperature		housing: -25 ... 80 °C (-13 ... 176 °F) cable, flexing: -5 ... 80 °C (23 ... 176 °F) cable, fixed: -40 ... 90 °C (-40 ... 194 °F)
Mechanical specifications		
Connection type		8 x socket M12 x 1 5-pin Master cable
Degree of protection		IP65/IP67
Material		
Contacts		Cu alloy
Contact surface		Au
Housing		PBT
Threaded bushings		PBT
Cable		PUR
Seal		O-ring: NBR
Core insulation		PVC
Cable		flexible
Sheath diameter		Ø 10.5 mm
Bending radius		> 10 x cable diameter, moving > 7.5 x cable diameter, fixed
Color		black
Cores		Signal line (2, 4): 16 x 0.5 mm ² Supply line (1, 3), PE (5): 3 x 1 mm ²
Conductor construction		28 x 0.15 mm Ø and 56 x 0.15 mm Ø
Length	L	5 m
Drag chain suitability		
Drag chain cycles		min. 1500000
Motion velocity		max. 2 m/s
Traverse distance		2 m
Mass		approx. 1152 g
Flammability		V-0

Connection



Port/Pin (signal)	Color
1 / 4 (A)	WH
1 / 2 (B)	GY/PK
2 / 4 (A)	GN
2 / 2 (B)	RD/BU
3 / 4 (A)	YE
3 / 2 (B)	WH/GN
4 / 4 (A)	GY
4 / 2 (B)	BN/GN
5 / 4 (A)	PK
5 / 2 (B)	WH/YE
6 / 4 (A)	RD
6 / 2 (B)	YE/BN
7 / 4 (A)	BK
7 / 2 (B)	WH/GY
8 / 4 (A)	VT
8 / 2 (B)	GY/BN
1-8 / 1 (UN)	BN
1-8 / 3 (0 V)	BU
1-8 / 5 (PE)	GN/YE



Accessories

	MH 05-SACB-8	Mounting aid for splitter boxes for DIN rail
	MH V1-BIT M12	plug-in cap M12
	V15S-Y-V15/V15	Y-Splitter M12 plug to 2x M12 socket 5-pin A-coded
	VAZ-V1-B3L	Blind plug for M12 sockets