

Mounting aid

OMH-ML100-08

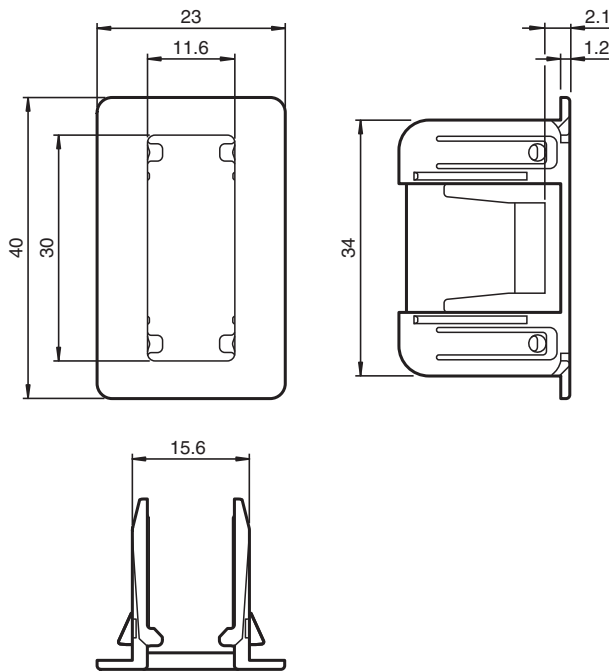


- Plug-in bracket
- Simple installation with snap-in fastener

Mounting aid for ML100 series, Snap-in



Dimensions



Technical Data

Ambient conditions

Ambient temperature -30 ... 70 °C (-22 ... 158 °F)

Mechanical specifications

Material Plastic , clear

Mass approx. 3 g

Mounting Snap-in

Suitable series

Series ML100

Release date: 2020-05-05 Date of issue: 2020-06-30 Filename: 260416_eng.pdf